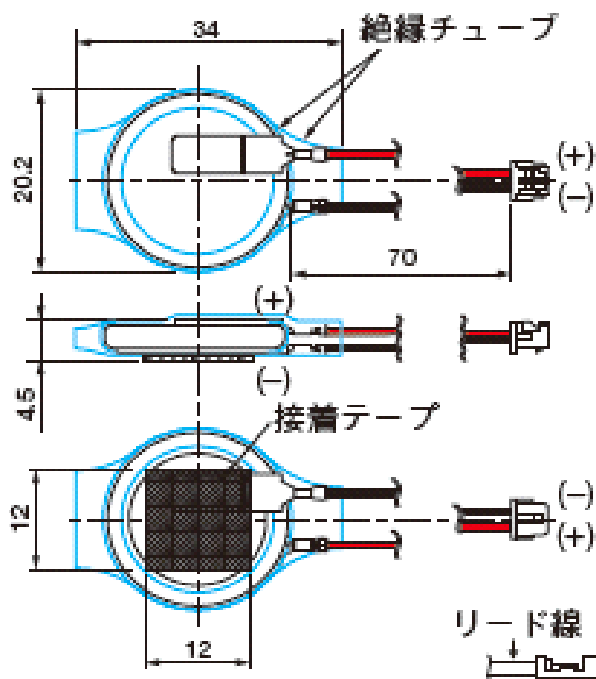


# CR2032 WK11



Housing: DF13-2S-1.25C (Hirose)

Contact: DF13-2630SCF (Hirose)

Wire: AWG28 UL1571