

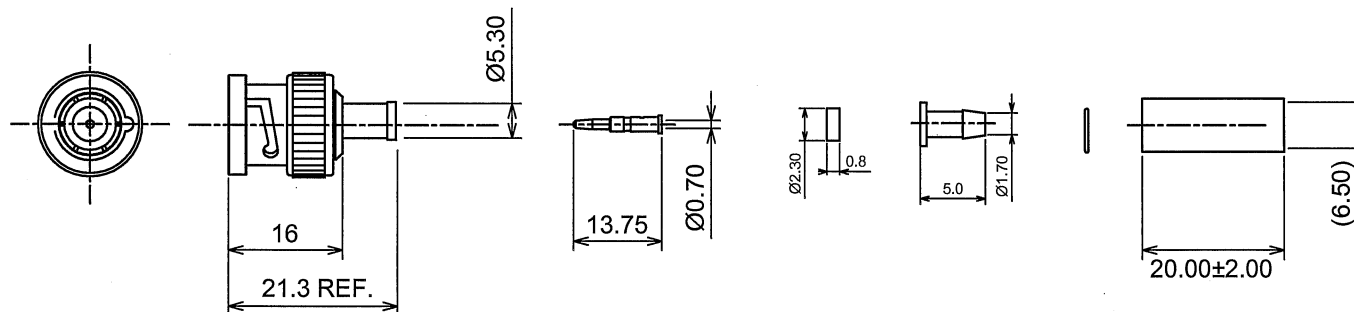
RoHS10 Support

REACH Support

CFSI Support

IP67 Waterproof after mating (Before the panel)

○形状 (SHAPE)



○規格 (Standard)

JIS-C-5412 MIL-C-3608 MIL-C-39012

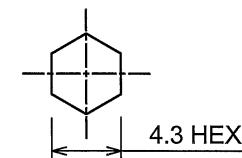
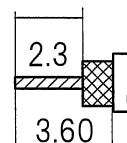
○仕様 (Specification)

- 特性インピーダンス (Impedance): 50Ω
- 定格周波数 (Working Frequency Range): DC~4GHz
- 電圧定在波比 (VSWR): ≤1.30 at 4GHz
- 挿入損失 (Insertion Loss): 0.2dB max × √f GHz (f:Frequency)
- 定格電圧 (Voltage Rating): 500V rms
- 耐電圧 (Proof Voltage): 1000V rms
- 接触抵抗 (Contact Resistance): 2mΩ max
- 絶縁抵抗 (Insulation Resistance): ≥5000MΩ
- 勘合保証回数 (Connector Life): 500 times min

○加工寸法 (ASSEMBLY)

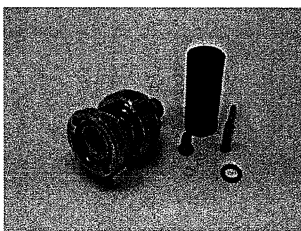
SUGGESTED STRIPPING INSTRUCTIONS

RECOMMENDED CLIPPING TOOL SIZE



RECOMMENDED CRIMP HEIGHT 4.48±0.18

12	SHELL	BRASS	NICKEL
11	GASKET	S·RUBBER	NATURE
10	WASHER	BRASS	NICKEL
9	SPRING	SK-5	NICKEL
8	WASHER	BRASS	NICKEL
7	TUBE	EVA	BLACK
6	O-RING	S·I·R	RED
5	FERRULE	BRASS	NICKEL
4	INSULATAR	PTFE	NATURE
3	INSULATAR	PTFE	NATURE
2	CONTACT	BRASS	GOLD
1	BODY	BRASS	NICKEL
No	DESCRIPTION	MATERIAL	FINISH



TOLERANCE DECIMALS .XX ±0.10 .X ±0.15 DIAMETER .X ±0.10				日本エレパーツ株式会社 NIHON ELEPARTS Co.,LTD	
Approved	Checked	Drawn			
 '22.06.29 大江	 '22.06.29 山崎	 '22.06.29 大江	A4	N A M E	REV 1
				BNC-PSB-1.5D	