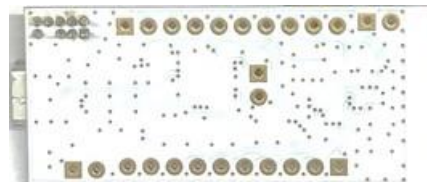
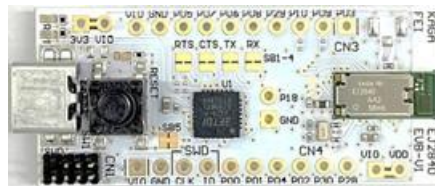

EVALUATION BOARD MANUAL EJ2840AA2-EVB / EJ2840MA2-EVB

EVALUATION KIT MANUAL EJ2840AA2-EVK

for EJ2840 Series Bluetooth[®] low energy Module

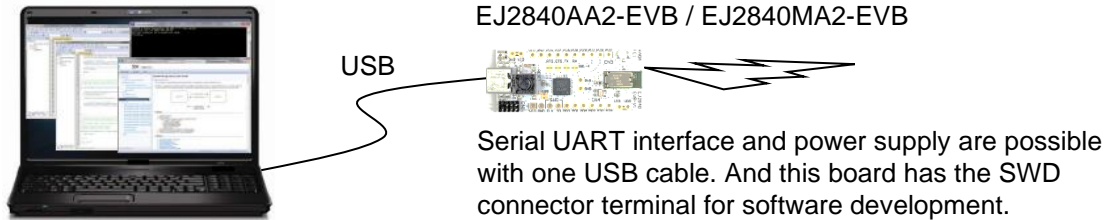


Contents

1. Introduction.....	3
2. Mounted module	3
3. Content.....	4
4. Evaluation board circuit schematic.....	4
5. Evaluation board layout.....	5
6. Silkscreen Printing	5
7. Pin Descriptions	6
8. How to use	6
9. For software development.....	7
10. MEMO	8
11. Important notes.....	10

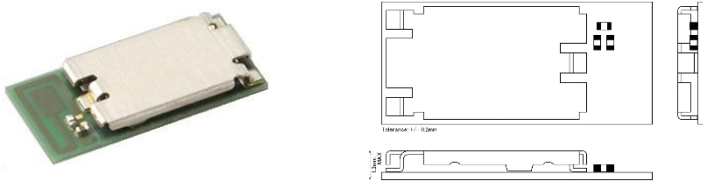
1. Introduction

This evaluation board is applicable for KAGA FEI's **Bluetooth® low energy** module, EJ2840 Series.



2. Mounted module

EJ2840 (11.3mm x 5.1mm x 1.3mm_MAX)



Nordic nRF52840 / ARM® Cortex™-M4F 32 bit processor
28-pin Land Grid Array / 15GPIOs / SWD

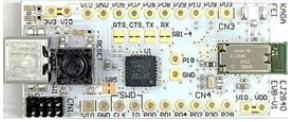
-Basic Module-

KAGA FEI writes S140 SoftDevice to this product (EJ2840AA2).
The user can develop unique application for the module.

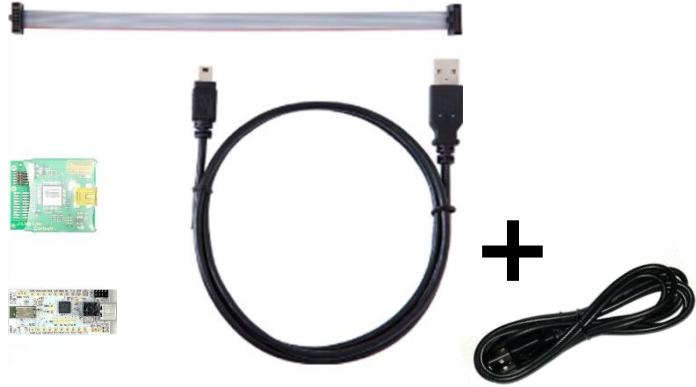
3. Content

1	EJ2840AA2-EVB / EJ2840MA2-EVB Evaluation Board + USB cable for Evaluation Board	1 pc
2	J-Link Lite (EJ2840AA2-EVK Only) + USB cable for Evaluation Board *1	1 set

1. EJ2840AA2-EVB / EJ2840MA2-EVB



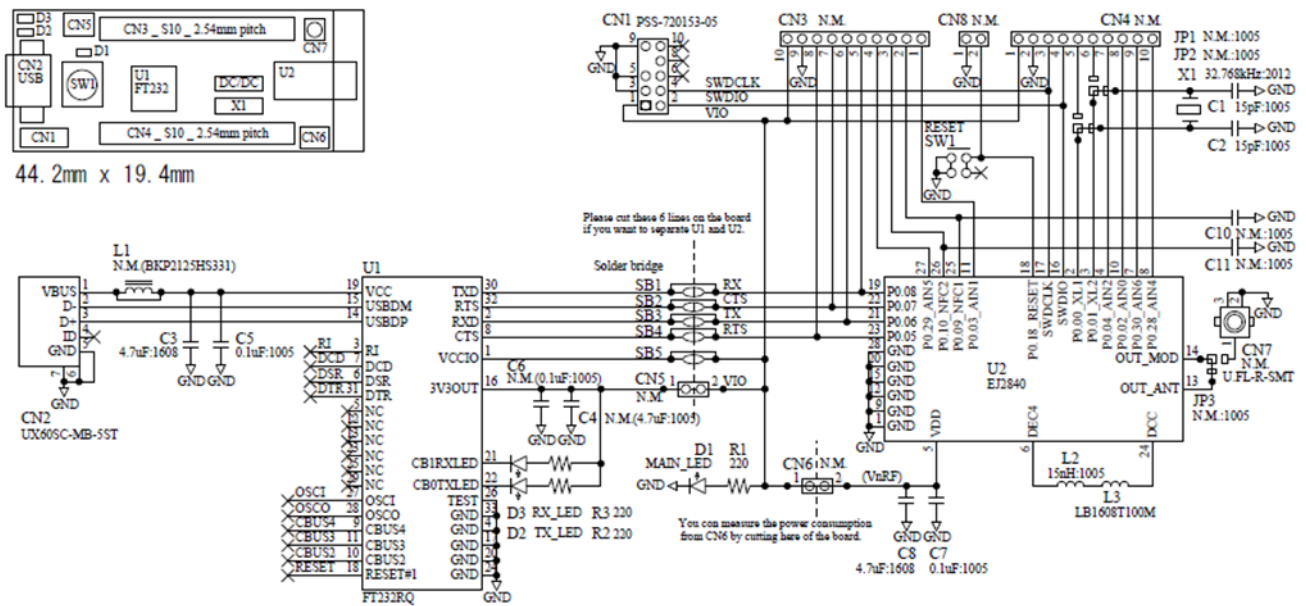
2. EJ2840AA2-EVK



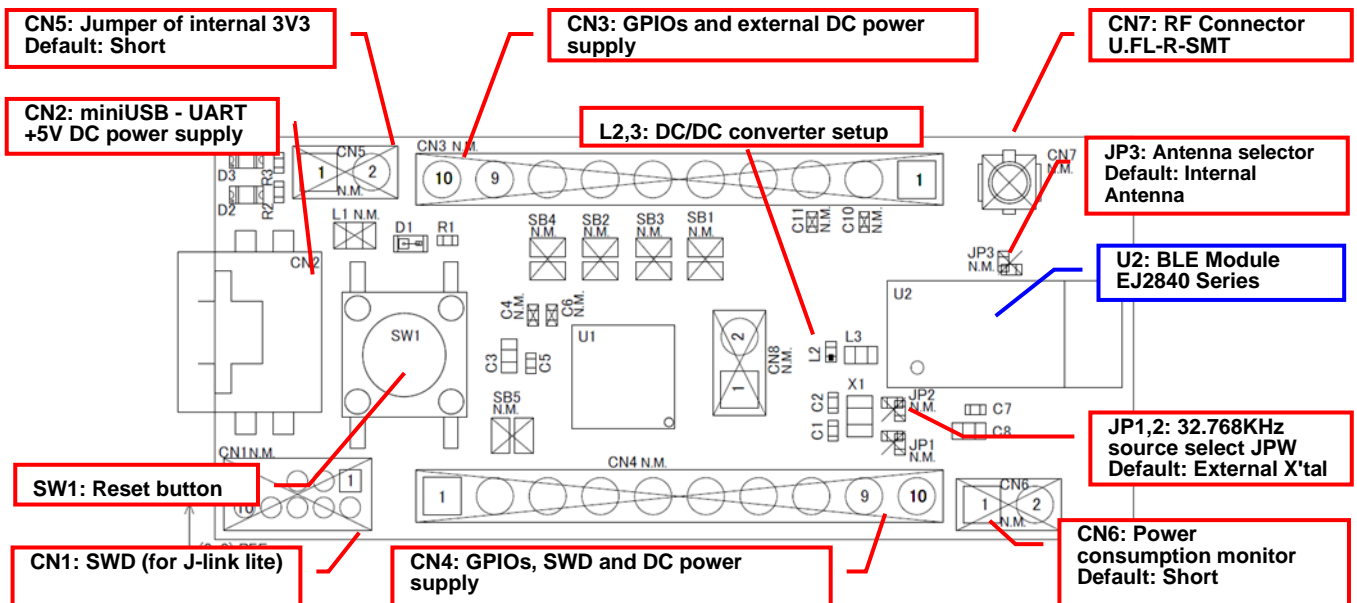
*1 Notes on using J-Link Lite

J-Link Lite is only delivered and supported as part of an evaluation kit, which includes an evaluation board. It may only be used with the evaluation board it came with, and not to be used for commercial product development.

4. Evaluation board circuit schematic

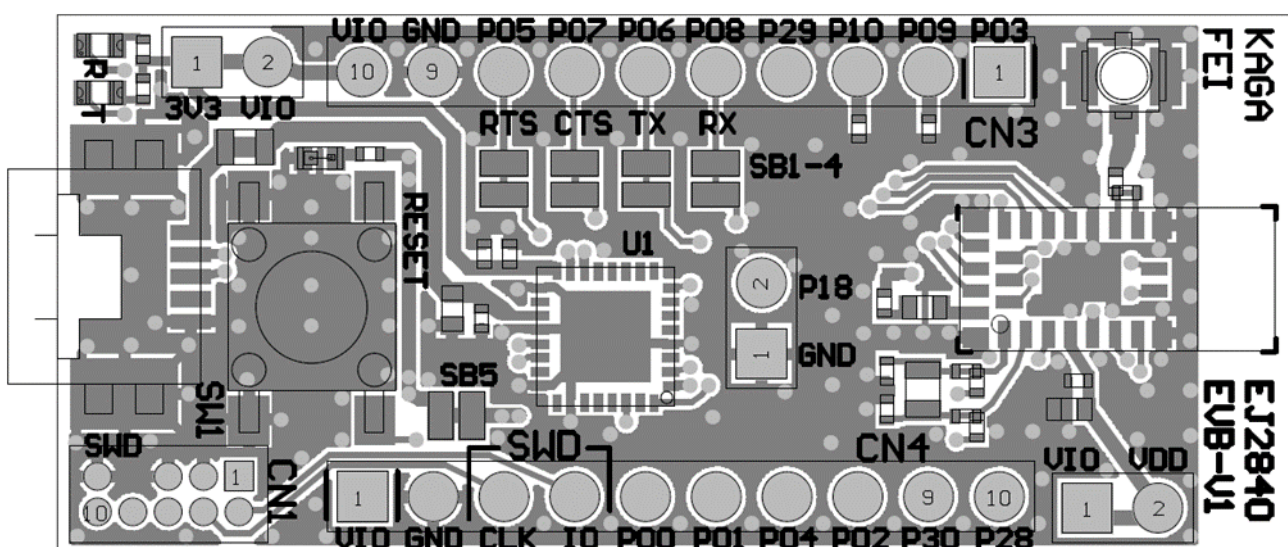


5. Evaluation board layout



- 1) All pin headers are 2.54mm pitch. And distance between **CN3** and **CN4** is **15.24mm**.
- 2) **CN3-CN8, C4, C6, C10, C11, R4, L1, JP1-JP3, SB1-5** are not mounted (N.M.).
- 3) **D1 (LED):** 3.3V Indicator
- 4) **D2 (LED):** UART TX Indicator
- 5) **D3 (LED):** UART RX Indicator
- 6) **SW1 (Push button):** Module Reset (active low)

6. Silkscreen Printing



7. Pin Descriptions

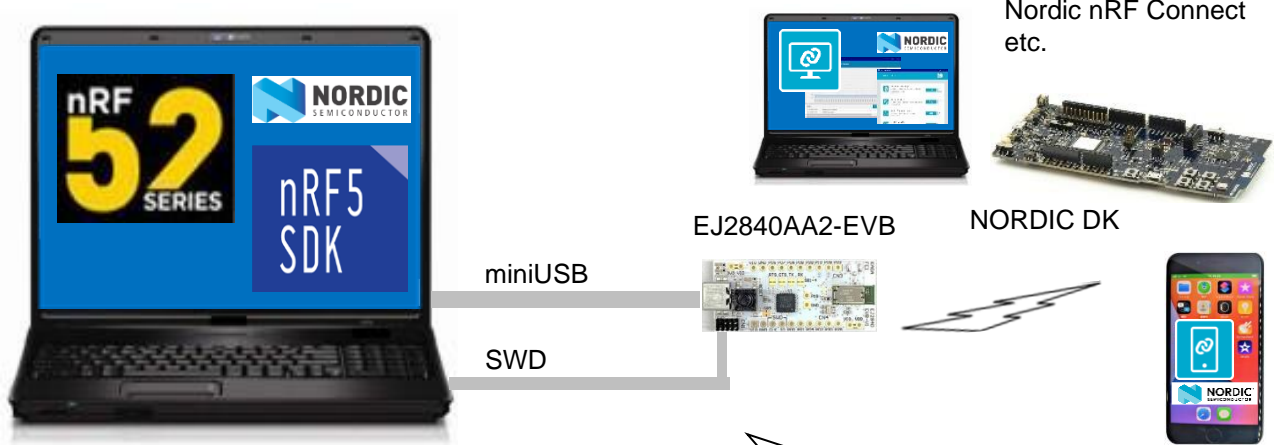
Pin No.	CN3	CN4	CN8
1	P0.03_AIN1	VIO	GND
2	P0.09_NFC1	GND	P0.18/RESET
3	P0.10_NFC2	SWDCLK	-
4	P0.29_AIN5	SWDIO	-
5	P0.08	P0.00 (default NC)	-
6	P0.06	P0.01 (default NC)	-
7	P0.07	P0.04_AIN2	-
8	P0.05_AIN3	P0.02_AIN0	-
9	GND	P0.30_AIN6	-
10	VIO	P0.28_AIN4	-

8. How to use

It is very easy just to tie this board to the PC with a USB cable. It is not necessary to change the setting of the board. The power supply of the module supplies by default 3.3V from 3V3OUT of FT232RQ.

9. For software development

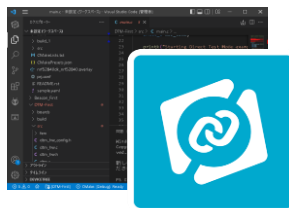
- Nordic-DK and Use case



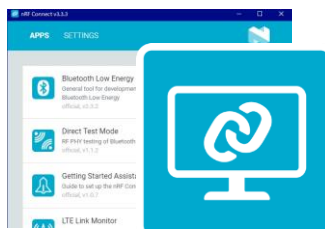
- SEGGER Embedded Studio



- Visual Studio Code



- nRF Connect for Desktop



etc.

- Nordic-nRF52840 DK

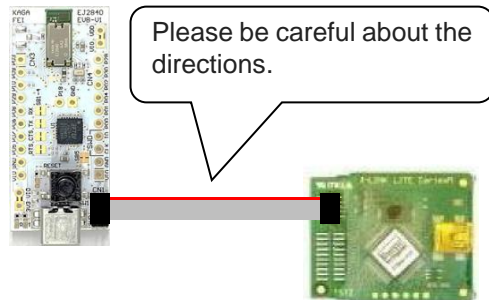
<https://www.nordicsemi.com/Products/Development-hardware/nRF52840-DK>



SWD : Serial Wire Debug
It can be use J-Link Lite CortexM-9
JTAG/SWD Emulator that attached
with EJ2840AA2-EVK.



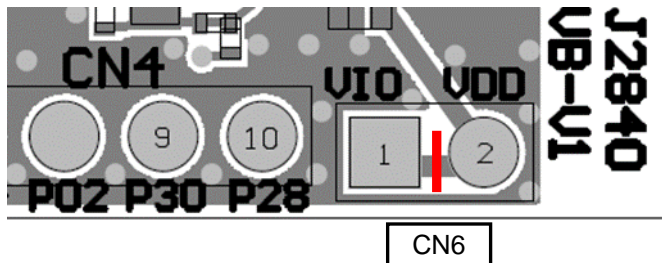
CN1 supports the connection of the
10 pin 1.27 mm flat cable.



10. MEMO

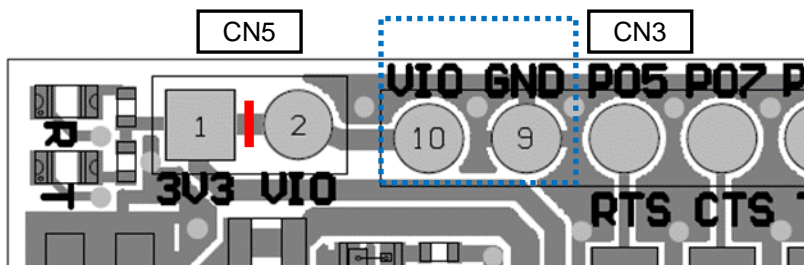
1) Current measurement

To measure the current, please cut the shorting 1pin and 2 pin of CN6. And connect an ampere-meter between the pins of connector CN6 to monitor the current directly.



2) About the power supply of the module

When you use external power supply, please supply power from 9pin and 10pin of CN3. On this configuration, you cut short circuit 1pin and 2pin of CN5 and should separate 3V3OUT of FT232RQ.



3) USB to serial UART interface

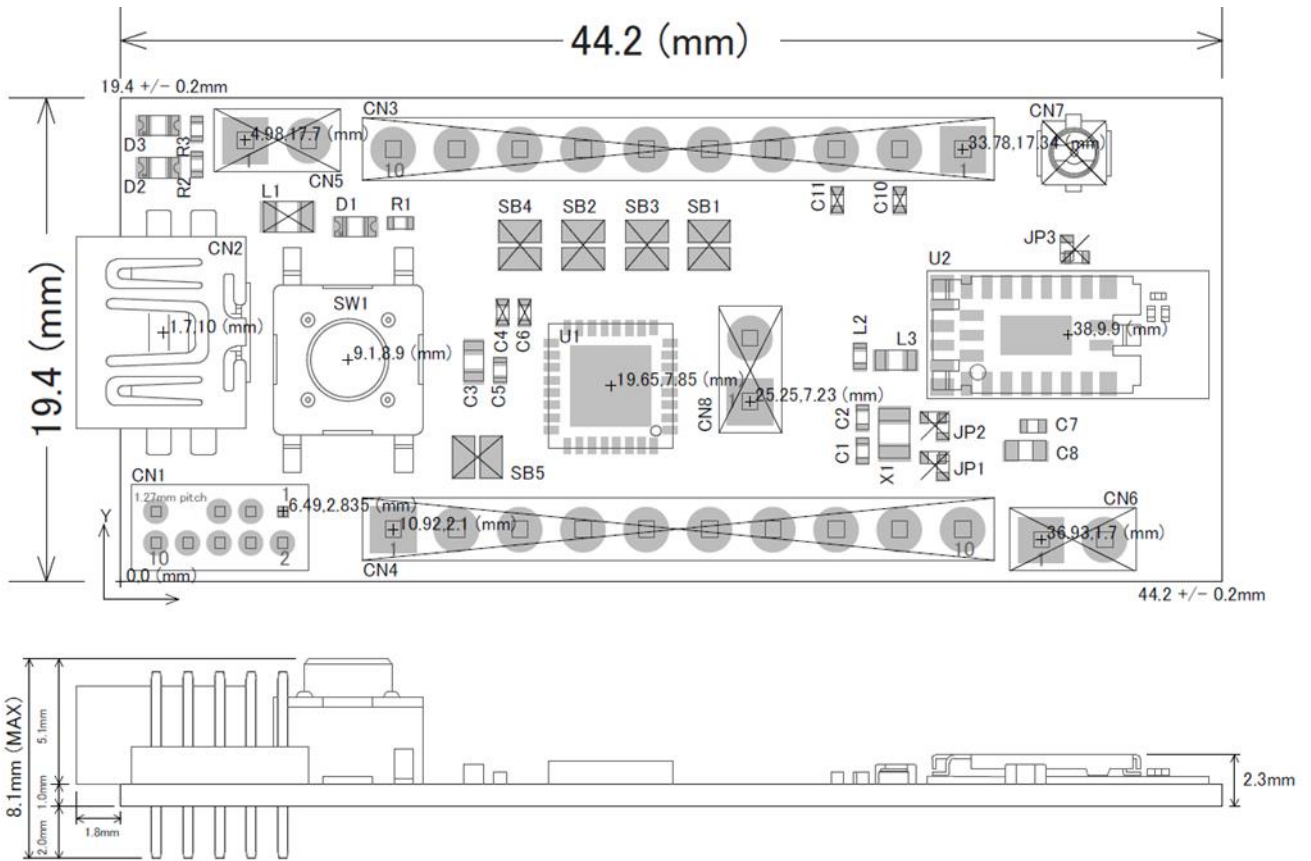
It needs to install driver of FT232RQ to use USB for UART interface. The drivers are available on FTDI website.

<http://www.ftdichip.com/Drivers/D2XX.htm>

In addition, by the application development, please assign GPIO as follows.

GPIO	UART
P0.05	RTS
P0.06	TX
P0.07	CTS
P0.08	RX

4) Size and Coordinate information



11. Important notes

32kHz Clock

This module does not installed 32.768kHz crystal. In case of operating without external crystal, please modify sdk_config.h in order to enable internal 32.768kHz RC oscillator (32k RCOSC).

The content may change depending on the SDK you use.

```
--sdk_config.h-- (In case of SDK17.1)
// <o> CLOCK_CONFIG_LF_SRC - LF Clock Source
// <0=> RC
// <1=> XTAL
// <2=> Synth
// <131073=> External Low Swing
// <196609=> External Full Swing
#ifndef CLOCK_CONFIG_LF_SRC
#define CLOCK_CONFIG_LF_SRC 0
#endif
// </h>
//=====
// <h> Clock - SoftDevice clock configuration
//=====
// <o> NRF_SDH_CLOCK_LF_SRC - SoftDevice clock source.
// <0=> NRF_CLOCK_LF_SRC_RC
// <1=> NRF_CLOCK_LF_SRC_XTAL
// <2=> NRF_CLOCK_LF_SRC_SYNTH
#ifndef NRF_SDH_CLOCK_LF_SRC
#define NRF_SDH_CLOCK_LF_SRC 0
#endif
// <o> NRF_SDH_CLOCK_LF_RC_CTIV - SoftDevice calibration timer interval.
#ifndef NRF_SDH_CLOCK_LF_RC_CTIV
#define NRF_SDH_CLOCK_LF_RC_CTIV 16
#endif
// <o> NRF_SDH_CLOCK_LF_RC_TEMP_CTIV - SoftDevice calibration timer interval under constant temperature.
// <i> How often (in number of calibration intervals) the RC oscillator shall be calibrated
// <i> if the temperature has not changed.
#ifndef NRF_SDH_CLOCK_LF_RC_TEMP_CTIV
#define NRF_SDH_CLOCK_LF_RC_TEMP_CTIV 2
#endif
// <o> NRF_SDH_CLOCK_LF_ACCURACY - External clock accuracy used in the LL to compute timing.
// <0=> NRF_CLOCK_LF_ACCURACY_250_PPM
// <1=> NRF_CLOCK_LF_ACCURACY_500_PPM
// <2=> NRF_CLOCK_LF_ACCURACY_150_PPM
// <3=> NRF_CLOCK_LF_ACCURACY_100_PPM
// <4=> NRF_CLOCK_LF_ACCURACY_75_PPM
// <5=> NRF_CLOCK_LF_ACCURACY_50_PPM
// <6=> NRF_CLOCK_LF_ACCURACY_30_PPM
// <7=> NRF_CLOCK_LF_ACCURACY_20_PPM
// <8=> NRF_CLOCK_LF_ACCURACY_10_PPM
// <9=> NRF_CLOCK_LF_ACCURACY_5_PPM
// <10=> NRF_CLOCK_LF_ACCURACY_2_PPM
// <11=> NRF_CLOCK_LF_ACCURACY_1_PPM
#ifndef NRF_SDH_CLOCK_LF_ACCURACY
#define NRF_SDH_CLOCK_LF_ACCURACY 1
#endif
#endif
```

Note that when you choose to use the RC oscillator, it will add around 2uA average current consumption compared to a 20ppm external crystal.

ANT specification requires +/-50ppm accuracy for 32.768kHz clock. There is a possibility that the internal RC oscillator does not meet to the specification.