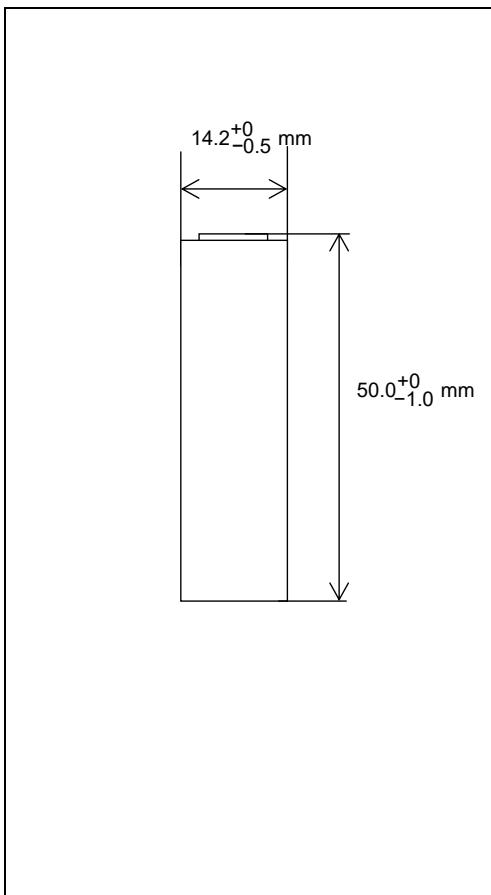


Data sheet

Dimensions



Dimensions (including tube)	Diameter	14.2 +0/ -0.5 mm
	Height	50.0 +0/ -1.0 mm
Approx. Weight (including tube)		27 g
Approx. Internal Impedance at 1kHz 20 °C ₆₎		15 mΩ

6) After 3 cycles of charge and discharge under the conditions of 1), followed by the measurement 1~4 hours later.

Capacity

Nominal ₁₎	1100 mAh
Minimum ₁₎	1000 mAh

1)Single cell capacity under the following condition.

Charge : 100 mA x 16 hours, Discharge : 200 mA(E.V.=1.00 V) at 20 °C

General Specifications

Nominal Voltage		1.2 V	
End Voltage		1.00 V	
Charging Current x Time	Normal Charge	100 mA x 16 hours	
	Fast Charge ₂₎	1100 mA x about 1.1 hours	
Ambient Temp.	Charge Condition ₃₎	Normal Charge	0 °C ~ +50 °C
		Fast Charge ₂₎	0 °C ~ +40 °C
	Discharge Condition ₃₎	Recommended	0 °C ~ +50 °C
		Possible ₄₎	-40 °C ~ +85 °C
Relative Humidity ₅₎		45 % ~ 85 %	

2)Use recommended charging system.

3)Charge or discharge on outside the recommended temperature range may generate the battery degradation.

4)Only low rate discharge at low temperature.

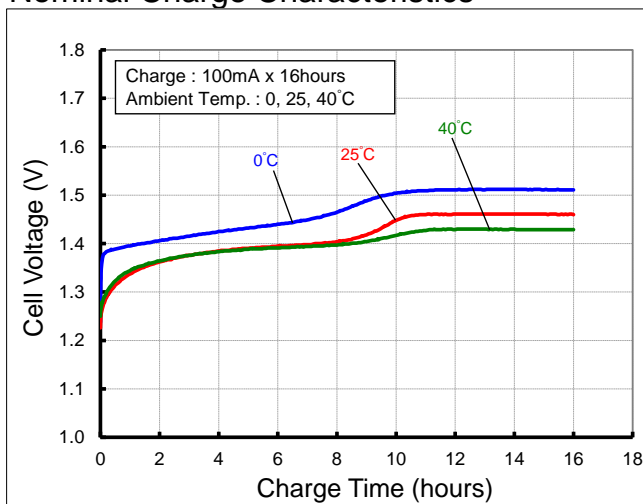
5)No water condensation.

Storage Conditions

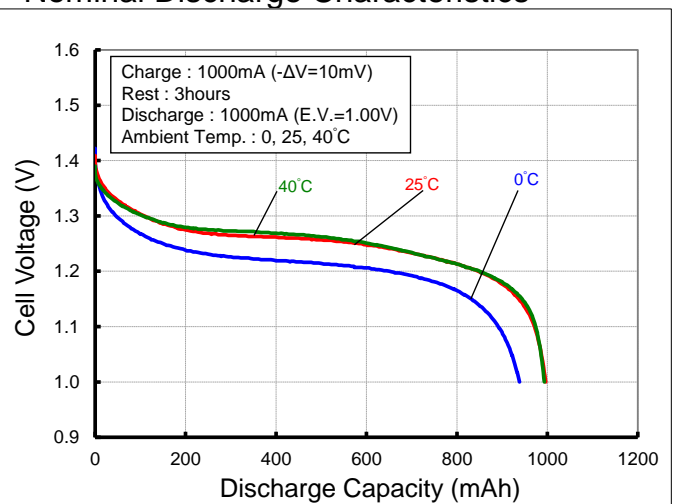
Ambient Temp.	Less than 30 days	-40 °C ~ +50 °C
	Less than 90 days	-40 °C ~ +40 °C
	Less than 1 year	-40 °C ~ +30 °C
Relative Humidity ₇₎		45 % ~ 85 %

7)No water condensation.

Nominal Charge Characteristics



Nominal Discharge Characteristics



- Single cell performance and lifespan are greatly affected by usage and temperature conditions.
- Test results vary depending on individual cells.
- Each values included in this material are intended to describe performance. They are not guaranteed.