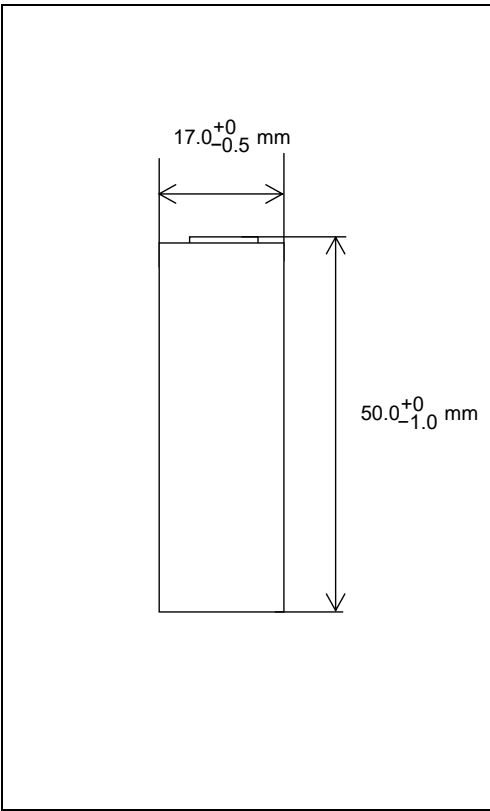


## Data sheet

### Dimensions



|   |          |                  |
|---|----------|------------------|
| Dimensions (including tube)                           | Diameter | 17.0 +0/ -0.5 mm |
|   | Height   | 50.0 +0/ -1.0 mm |
| Approx. Weight (including tube)                       |          | 37 g             |
| Approx. Internal Impedance at 1kHz 20°C <sub>5)</sub> |          | 20 mΩ            |

5) After 3 cycles of charge and discharge under the conditions of 1), followed by the measurement 1~4 hours later.

### Capacity

|                       |          |
|-----------------------|----------|
| Nominal <sub>1)</sub> | 2200 mAh |
| Minimum <sub>1)</sub> | 2000 mAh |

1) Single cell capacity under the following condition.

Charge : 200 mA x 16 hours, Discharge : 400 mA (E.V.=1.00 V) at 20 °C

### General Specifications

|                                 |                                   |   |
|---------------------------------|-----------------------------------|---|
| Nominal Voltage                 |                                   | 1.2 V   |
| End Voltage                     |                                   | 1.00 V  |
| Charging Current x Time         |                                   | Fast Charge <sub>2)</sub> 2200 mA x about 1.1 hours |
| Ambient Temp.                   | Charge Condition <sub>3)</sub>    | Fast Charge <sub>2)</sub> 0 °C ~ +40 °C             |
|                                 | Discharge Condition <sub>3)</sub> | Recommended 0 °C ~ +50 °C                           |
| Relative Humidity <sub>4)</sub> |                                   | 45 % ~ 85 %   |

2) Use recommended charging system.

3) Charge or discharge on outside the recommended temperature range may generate the battery degradation.

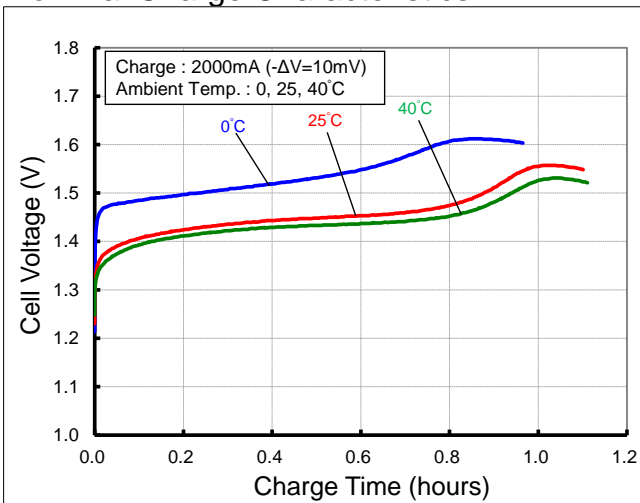
4) No water condensation.

### Storage Conditions

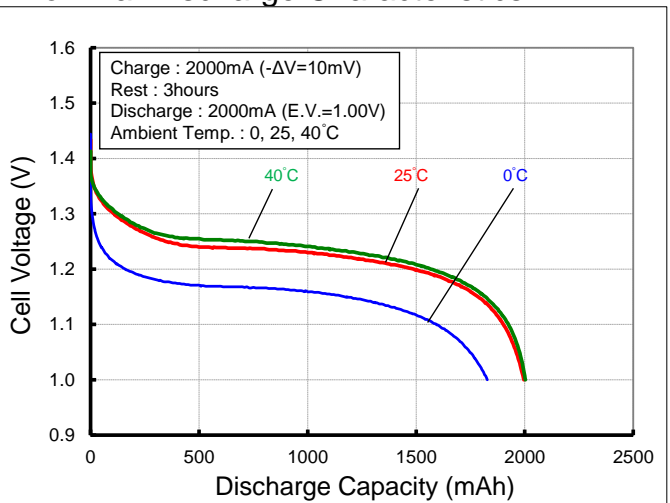
|                                 |                   |                 |
|---------------------------------|-------------------|-----------------|
| Ambient Temp.                   | Less than 30 days | -20 °C ~ +50 °C |
|                                 | Less than 90 days | -20 °C ~ +40 °C |
|                                 | Less than 1 year  | -20 °C ~ +30 °C |
| Relative Humidity <sub>6)</sub> |                   | 45 % ~ 85 %     |

6) No water condensation.

### Nominal Charge Characteristics



### Nominal Discharge Characteristics



- Single cell performance and lifespan are greatly affected by usage and temperature conditions.
- Test results vary depending on individual cells.
- Each values included in this material are intended to describe performance. They are not guaranteed.