

RoHS10 Support

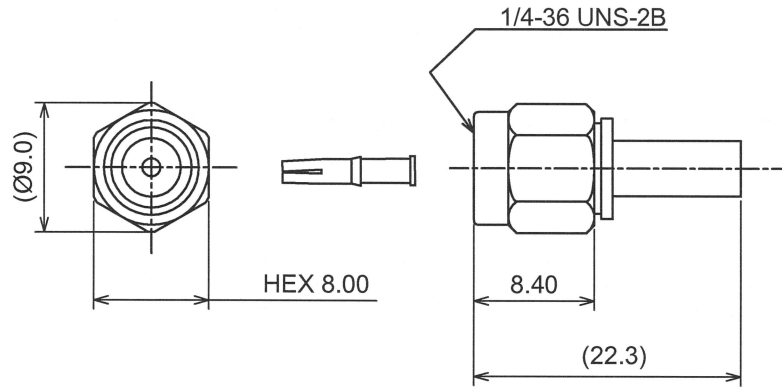
REACH Support

CFSI Support

IP66 Waterproof after mating (Requires waterproof tube)

Reverse

○形状 (SHAPE)



○規格 (STANDARD)

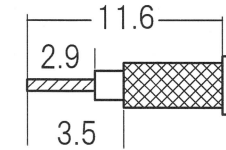
MIL-C-39012

○仕様 (SPECIFICATION)

- 特性インピーダンス (Impedance): 50 Ω
- 定格周波数 (Working Frequency Range): DC~6GHz
- 電圧定在波比 (VSWR): ≤1.35 max at 6GHz
- 挿入損失 (Insertion Loss): 0.04dB max × √f GHz (f:Frequency)
- 定格電圧 (Voltage Rating): 335 Vrms max
- 耐電圧 (Proof Voltage): 750 Vrms max
- 勘合保証回数 (Connector Life): 500 times min
- 使用温度範囲 (Temperature range): -65°C~165°C
- 推奨締め付けトルク (Recommended Torque) 0.8~1.1 Nm

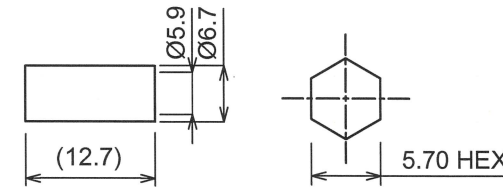
○加工寸法 (ASSEMBLY)

RECOMMENDED CABLE STRIPPING DIMS



SOLDER CONTACT TO CABLE CENTER CONDUCTOR

RECOMMENDED CLIPPING TOOL SIZE



RECOMMENDED CRIMP HEIGHT 5.76±0.2

The tolerance in this area is ± 0.10

|    |              |           |        |
|----|--------------|-----------|--------|
| 7  | GASKET       | S . I . R | RED    |
| 6  | R-ring       | SUS304    | NATURE |
| 5  | Ferrule      | BRASS     | NICKEL |
| 4  | Coupling Nut | BRASS     | NICKEL |
| 3  | Contact      | BeCU      | GOLD   |
| 2  | Dielectric   | PTFE      | NONE   |
| 1  | Body         | BRASS     | NICKEL |
| No | DESCRIPTION  | MATERIAL  | FINISH |



|                 |                 |                 |      |                                       |  |
|-----------------|-----------------|-----------------|------|---------------------------------------|--|
| TOLERANCE       |                 |                 |      | 日本エレパーツ株式会社<br>NIHON ELEPARTS Co.,LTD |  |
| DECIMALS        | .XX ±0.08       | .X ±0.13        |      |                                       |  |
| DIAMETER        | .X ±0.03        |                 |      | NAME<br>RSMA-PS-RG55AU                |  |
| Approved        | Checked         | Drawn           | Unit |                                       |  |
| '22.02.01<br>山崎 | '22.02.01<br>大江 | '22.02.01<br>大江 | mm   | 2                                     |  |
|                 |                 |                 | A4   |                                       |  |