

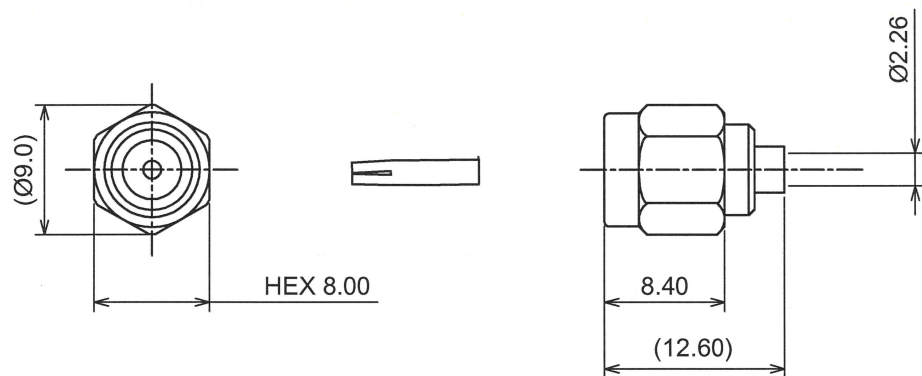
RoHS10 Support

REACH Support

CFSI Support

Reverse

○形状 (SHAPE)



○規格 (STANDARD)

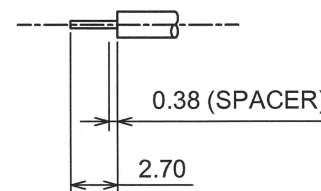
MIL-C-39012

○仕様 (SPECIFICATION)

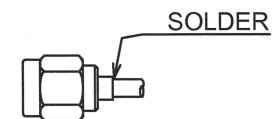
- 特性インピーダンス (Impedance) : 50Ω
- 定格周波数 (Working Frequency Range) : DC~18GHz
- 電圧定在波比 (VSWR) : ≤ 1.20 max at 18GHz
- 挿入損失 (Insertion Loss) : $0.04 \text{ dB max} \times \sqrt{f} \text{ GHz}$ (f:Frequency)
- 定格電圧 (Voltage Rating) : 335 Vrms max
- 耐電圧 (Proof Voltage) : 1000 Vrms max
- 勘合保証回数 (Connector Life) : 500 times min
- 使用温度範囲 (Temperature range) : $-65^\circ\text{C} \sim 165^\circ\text{C}$
- 推奨締め付けトルク (Recommended Torque) 0.8~1.1 Nm

○加工寸法 (ASSEMBLY)

RECOMMENDED STRIPPING INSTRUCTIONS



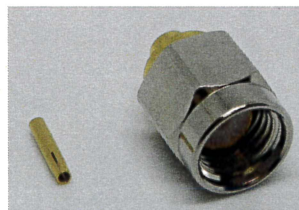
SOLDER CONTACT TO CABLE CENTER CONDUCTOR



SOLDER TO THE ABOVE

The tolerance in this area is ± 0.10

No	DESCRIPTION	MATERIAL	FINISH
6	GASKET	S. I. R	RED
5	R-ring	SUS303	NATURE
4	Coupling Nut	BRASS	NICKEL
3	Contact	BeCu	GOLD
2	Dielectric	PTFE	NONE
1	Body	BRASS	GOLD



TOLERANCE				日本エレパーツ株式会社 NIHON ELEPARTS Co.,LTD	
DECIMALS	.XX ± 0.08	.X ± 0.13			
DIAMETER	.X ± 0.03				
Approved	Checked	Drawn	Unit	NAME	REV
			mm		
A4					