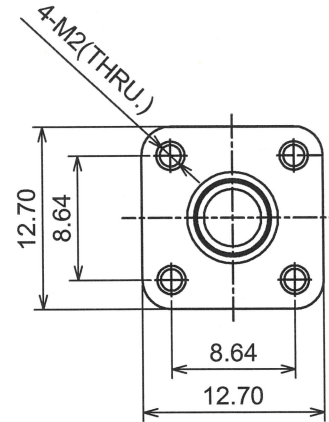
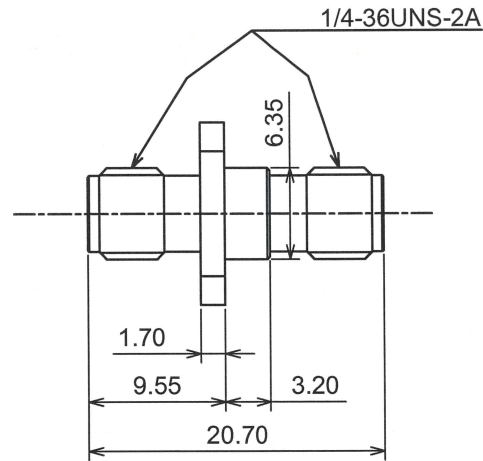


RoHS10 Support

REACH Support

CFSI Support



○規格 (Standard)  
MIL-C-39012

○仕様 (Specification)

- 特性インピーダンス (Impedance) : 50 Ω
- 定格周波数 (Working Frequency Range) : DC~18GHz
- 電圧定在波比 (VSWR) : ≤ 1.15 at 18GHz
- 挿入損失 (Insertion Loss) : 0.04dB max × √f GHz (f:Frequency)
- 定格電圧 (Voltage Rating) : 250V rms
- 耐電圧 (Proof Voltage) : 750V rms
- 接触抵抗 (Contact Resistance) : 6mΩ max
- 絶縁抵抗 (Insulation Resistance) : ≥ 5000MΩ
- 勘合保証回数 (Connector Life) : 500 times min
- 使用温度範囲 (Temperature range) : -45°C~125°C
- 推奨締め付けトルク (Recommended Torque) 0.8~1.1 Nm



TOLERANCE DECIMALS .XX ±0.10 .X ±0.15 DIAMETER .X ±0.10				日本エレパーツ株式会社 NIHON ELEPARTS Co.,LTD	
Approved	Checked	Drawn			
			A4	SMA-JJ-M2.0	REV 2

3	Contact	BeCu	GOLD
2	Dielectric	PTFE	NONE
1	Body	Stainless Steel	PASSIVATED
No	DESCRIPTION	MATERIAL	FINISH