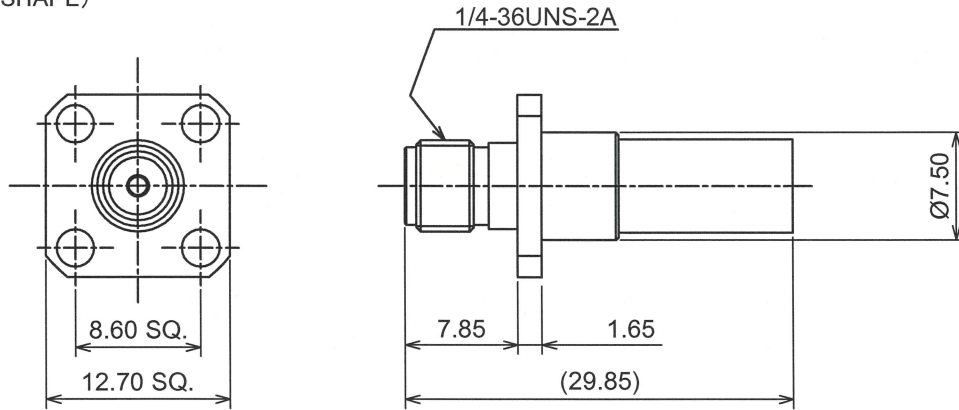


RoHS10 Support

REACH Support

CFSI Support

○形状 (SHAPE)



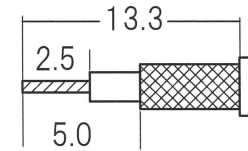
○規格 (Standard)
JIS-C-5410

○仕様 (Specification)

- 特性インピーダンス (Impedance): 50 Ω
- 定格周波数 (Working Frequency Range): DC~6GHz
- 電圧定在波比 (VSWR): ≤1.30 at 6GHz
- 挿入損失 (Insertion Loss): 0.05dB max × √f GHz (f:Frequency)
- 定格電圧 (Voltage Rating): 335V rms
- 耐電圧 (Proof Voltage): 800V rms
- 接触抵抗 (Contact Resistance): 5m Ω max
- 絶縁抵抗 (Insulation Resistance): ≥5000M Ω
- 勘合保証回数 (Connector Life): 500 times min
- 推奨締め付けトルク (Recommended Torque) 0.8~1.1 Nm

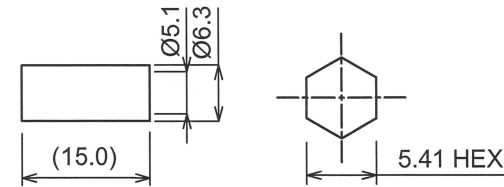
○加工寸法 (ASSEMBLY)

RECOMMENDED CABLE STRIPPING DIMS



SOLDER CONTACT TO CABLE CENTER CONDUCTOR

RECOMMENDED CLIPPING TOOL SIZE



RECOMMENDED CRIMP HEIGHT 5.55±0.2

The tolerance in this area is ±0.10

4	FERRULE	BRASS	NICKEL
3	Contact	BeCu	GOLD
2	Dielectric	PTFE	NONE
1	Body	BRASS	GOLD
No	DESCRIPTION	MATERIAL	FINISH



TOLERANCE DECIMALS .XX ±0.10 .X ±0.15 DIAMETER .X ±0.10				日本エレパーツ株式会社 NIHON ELEPARTS Co.,LTD	
Approved	Checked	Drawn			
			A4	NAME SMA-PJ-2.5D (AU)	REV 1