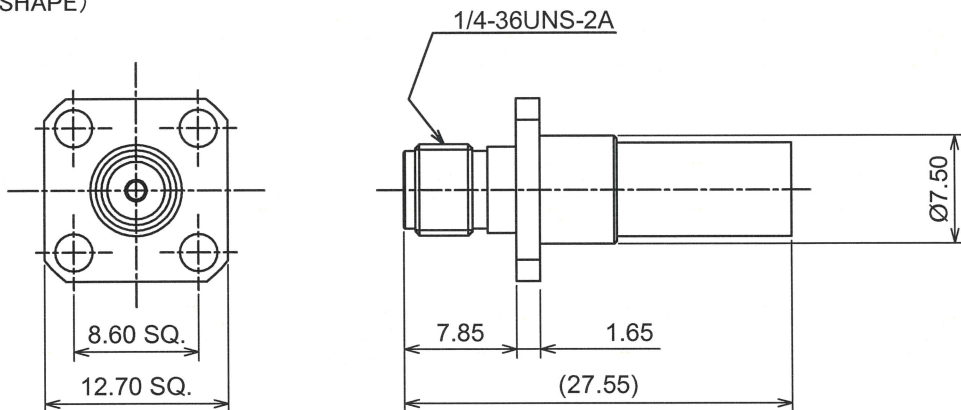


RoHS10 Support

REACH Support

CFSI Support

○形状 (SHAPE)



○規格 (Standard)
JIS-C-5410

○仕様 (Specification)

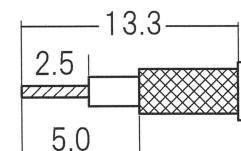
- 特性インピーダンス (Impedance) : 50 Ω
- 定格周波数 (Working Frequency Range) : DC~6GHz
- 電圧定在波比 (VSWR) : ≤ 1.30 at 6GHz
- 挿入損失 (Insertion Loss) : 0.05dB max × √f GHz (f:Frequency)
- 定格電圧 (Voltage Rating) : 335V rms
- 耐電圧 (Proof Voltage) : 800V rms
- 接触抵抗 (Contact Resistance) : 5mΩ max
- 絶縁抵抗 (Insulation Resistance) : ≥ 5000MΩ
- 勤合保証回数 (Connector Life) : 500 times min
- 推奨締め付けトルク (Recommended Torque) 0.8~1.1 Nm



4	FERRULE	BRASS	NICKEL
3	Contact	BRASS	GOLD
2	Dielectric	PTFE	NONE
1	Body	BRASS	GOLD
No	DESCRIPTION	MATERIAL	FINISH

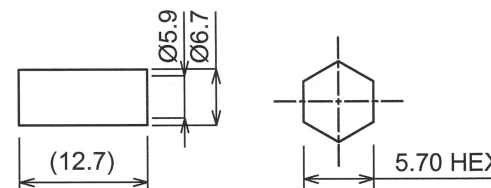
○加工寸法 (ASSEMBLY)

RECOMMENDED CABLE STRIPPING DIMS



SOLDER CONTACT TO CABLE CENTER CONDUCTOR

RECOMMENDED CLIPPING TOOL SIZE



RECOMMENDED CRIMP HEIGHT 5.76±0.2

The tolerance in this area is ± 0.10

TOLERANCE				日本エレパーツ株式会社 NIHON ELEPARTS Co.,LTD	
DECIMALS .XX ±0.10	.X ±0.15				
DIAMETER .X ±0.10			Unit	SMA-PJ-3D(AU)	
Approved	Checked	Drawn	mm		
			A4	NAME	REV
					1