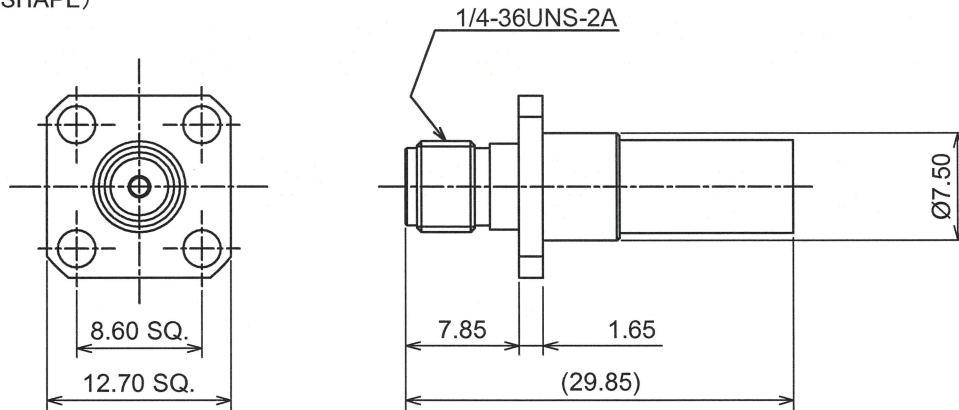


RoHS10 Support

REACH Support

CFSI Support

○形状 (SHAPE)



○規格 (Standard)
JIS-C-5410

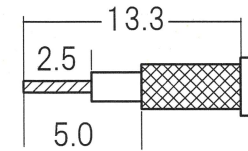
○仕様 (Specification)

- 特性インピーダンス (Impedance) : 50 Ω
- 定格周波数 (Working Frequency Range) : DC~6GHz
- 電圧定在波比 (VSWR) : ≤1.30 at 6GHz
- 挿入損失 (Insertion Loss) : 0.05dB max × √f GHz (f:Frequency)
- 定格電圧 (Voltage Rating) : 335V rms
- 耐電圧 (Proof Voltage) : 800V rms
- 接触抵抗 (Contact Resistance) : 5m Ω max
- 絶縁抵抗 (Insulation Resistance) : ≥5000M Ω
- 勘合保証回数 (Connector Life) : 500 times min
- 推奨締め付けトルク (Recommended Torque) 0.8~1.1 Nm



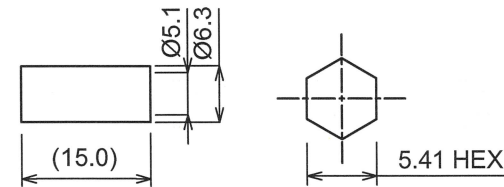
○加工寸法 (ASSEMBLY)

RECOMMENDED CABLE STRIPPING DIMS



SOLDER CONTACT TO CABLE CENTER CONDUCTOR

RECOMMENDED CLIPPING TOOL SIZE



RECOMMENDED CRIMP HEIGHT 5.55±0.2

The tolerance in this area is ± 0.10

| | | | |
|----|-------------|----------|--------|
| 4 | FERRULE | BRASS | NICKEL |
| 3 | Contact | BeCu | GOLD |
| 2 | Dielectric | PTFE | NONE |
| 1 | Body | BRASS | GOLD |
| No | DESCRIPTION | MATERIAL | FINISH |

| | | | | | |
|---|--------------------------|--------------------------|----|---------------------------------------|-------------------|
| TOLERANCE DECIMALS .XX ±0.10 .X ±0.15 DIAMETER .X ±0.10 | | | | 日本エレパーツ株式会社 NIHON ELEPARTS Co.,LTD | |
| Approved | Checked | Drawn | | | |
| エレパーツ '22.02.01 山崎 | エレパーツ '22.02.01 大江 | エレパーツ '22.02.01 大江 | mm | NAME | REV |
| | | | A4 | | SMA-PJ-RG29U (AU) |