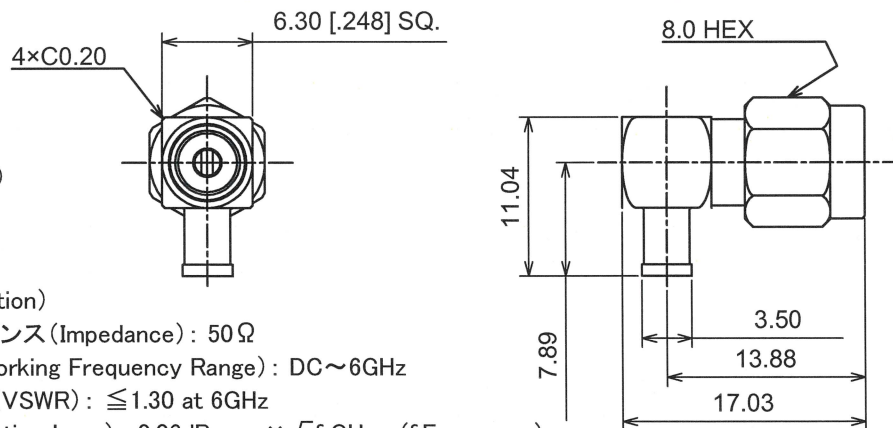


RoHS10 Support

REACH Support

CFSI Support

○形状 (SHAPE)



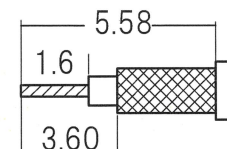
○規格 (Standard)  
MIL-C-39012

○仕様 (Specification)

- 特性インピーダンス (Impedance) : 50 Ω
- 定格周波数 (Working Frequency Range) : DC~6GHz
- 電圧定在波比 (VSWR) : ≤1.30 at 6GHz
- 挿入損失 (Insertion Loss) : 0.06dB max × √f GHz (f:Frequency)
- 定格電圧 (Voltage Rating) : 250V rms
- 耐電圧 (Proof Voltage) : 500V rms
- 接触抵抗 (Contact Resistance) : 3mΩ max
- 絶縁抵抗 (Insulation Resistance) : ≥5000MΩ
- 勘合保証回数 (Connector Life) : 500 times min
- 使用温度範囲 (Temperature range) : -65°C~165°C
- 推奨締め付けトルク (Recommended Torque) 0.8~1.1 Nm

○加工寸法 (ASSEMBLY)

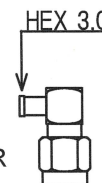
RECOMMENDED CABLE STRIPPING DIMS



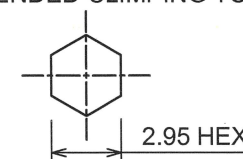
SOLDER FERRULE



INSERT INTO CONNECTOR



RECOMMENDED CLIPPING TOOL SIZE



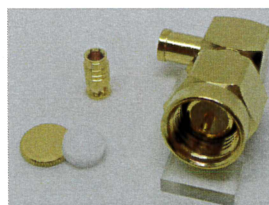
RECOMMENDED CRIMP HEIGHT 3.00±0.1

SOLDER CONTACT TO CABLE CENTER CONDUCTOR

PRESS IN THE CAP

The tolerance in this area is ± 0.10

9	Dielectric	PTFE	NONE
8	Ring	BRASS	GOLD
7	Cap	BRASS	GOLD
6	Gasket	S. I. R	RED
5	R-ring	SUS304	NATURE
4	Coupling Nut	BRASS	GOLD
3	Contact	BRASS	GOLD
2	Dielectric	PTFE	NONE
1	Body	BRASS	GOLD
No	DESCRIPTION	MATERIAL	FINISH



TOLERANCE				日本エレパーツ株式会社 NIHON ELEPARTS Co.,LTD	
DECIMALS .XX ±0.10	.X ±0.15				
DIAMETER .X ±0.10			Unit	NAME	REV
Approved	Checked	Drawn	mm		
 '22.02.01 大江	 '22.02.01 大江	 '22.02.01 大江	A4	SMA-PL-1.32AU	1