

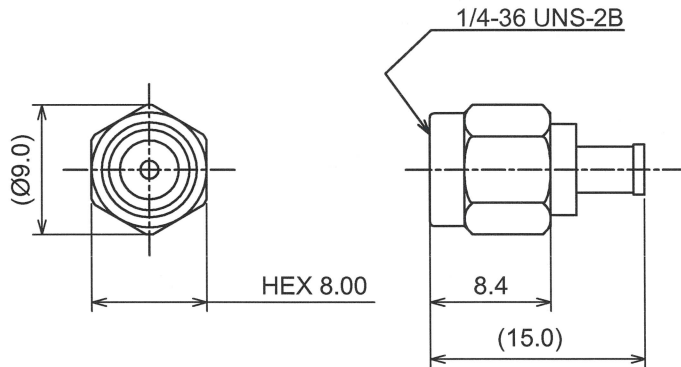
RoHS10 Support

REACH Support

CFSI Support

IP66 Waterproof after mating (Requires waterproof tube)

○形状 (SHAPE)



○規格 (STANDARD)

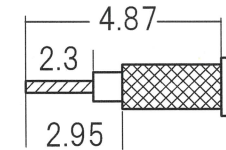
MIL-C-39012

○仕様 (SPECIFICATION)

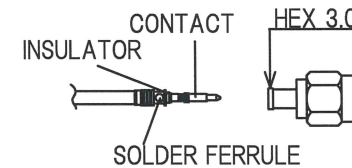
- 特性インピーダンス (Impedance): 50 Ω
- 定格周波数 (Working Frequency Range): DC~6GHz
- 電圧定在波比 (VSWR): ≤1.40 max at 6GHz
- 挿入損失 (Insertion Loss): 0.04 dB max × √f GHz (f:Frequency)
- 定格電圧 (Voltage Rating): 335 Vrms max
- 耐電圧 (Proof Voltage): 750 Vrms max
- 勤合保証回数 (Connector Life): 500 times min
- 使用温度範囲 (Temperature range): -65°C~155°C
- 推奨締め付けトルク (Recommended Torque) 0.8~1.1 Nm

○加工寸法 (ASSEMBLY)

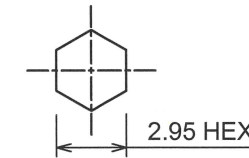
RECOMMENDED CABLE STRIPPING DIMS



SOLDER CONTACT TO CABLE CENTER CONDUCTOR, BOTTOMING ON INSULATOR



RECOMMENDED CLIPPING TOOL SIZE



RECOMMENDED CRIMP HEIGHT 3.00±0.1

The tolerance in this area is ± 0.10

8	GASKET	S . I . R	RED
7	R-ring	SUS304	NATURE
6	FERRULE	BRASS	GOLD
5	INSULATOR	PTFE	NONE
4	Coupling Nut	BRASS	NICKEL
3	Contact	BRASS	GOLD
2	Dielectric	PTFE	NONE
1	Body	BRASS	NICKEL
No	DESCRIPTION	MATERIAL	FINISH



TOLERANCE				日本エレパーツ株式会社 NIHON ELEPARTS Co.,LTD	
DECIMALS	.XX ±0.08	.X ±0.13			
DIAMETER	.X ±0.03			N A M E SMA-PS-1.48	
Approved	Checked	Drawn	Unit		
			mm	REV 2	
A4					