

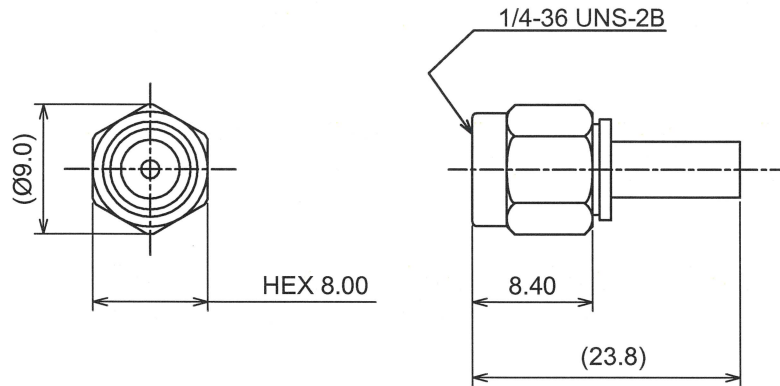
RoHS10 Support

REACH Support

CFSI Support

IP66 Waterproof after mating (Requires waterproof tube)

○形状 (SHAPE)



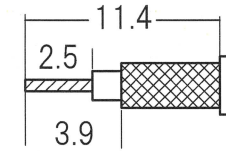
○規格 (STANDARD)
MIL-C-39012

○仕様 (SPECIFICATION)

- 特性インピーダンス (Impedance) : 50Ω
- 定格周波数 (Working Frequency Range) : DC~6GHz
- 電圧定在波比 (VSWR) : ≤ 1.35 max at 6GHz
- 挿入損失 (Insertion Loss) : $0.04\text{dB max} \times \sqrt{f}$ GHz (f:Frequency)
- 定格電圧 (Voltage Rating) : 335 Vrms max
- 耐電圧 (Proof Voltage) : 750 Vrms max
- 勘合保証回数 (Connector Life) : 500 times min
- 使用温度範囲 (Temperature range) : $-65^{\circ}\text{C} \sim 165^{\circ}\text{C}$
- 推奨締め付けトルク (Recommended Torque) 0.8~1.1 Nm

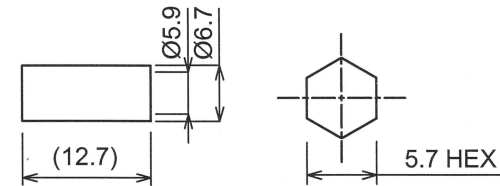
○加工寸法 (ASSEMBLY)

RECOMMENDED CABLE STRIPPING DIMS



SOLDER CONTACT TO CABLE CENTER CONDUCTOR

RECOMMENDED CLIPPING TOOL SIZE



RECOMMENDED CRIMP HEIGHT 5.76 \pm 0.2

The tolerance in this area is ± 0.10

| | | | |
|----|--------------|-----------|--------|
| 7 | GASKET | S . I . R | RED |
| 6 | R-ring | SUS304 | NATURE |
| 5 | Ferrule | BRASS | NICKEL |
| 4 | Coupling Nut | BRASS | NICKEL |
| 3 | Contact | BRASS | GOLD |
| 2 | Dielectric | PTFE | NONE |
| 1 | Body | BRASS | NICKEL |
| No | DESCRIPTION | MATERIAL | FINISH |



| | | | | | |
|------------------------------|------------------------------|------------------------------|------|---------------------------------------|--|
| TOLERANCE | | | | 日本エレパーツ株式会社 NIHON ELEPARTS Co.,LTD | |
| DECIMALS | .XX ± 0.08 | .X ± 0.13 | | | |
| DIAMETER | .X ± 0.03 | | | NAME SMA-PS-3DFB | |
| Approved | Checked | Drawn | Unit | | |
| エレパーツ '22.02.01 山崎 | エレパーツ '22.02.01 大江 | エレパーツ '22.02.01 大江 | mm | REV 2 | |
| | | | A4 | | |