

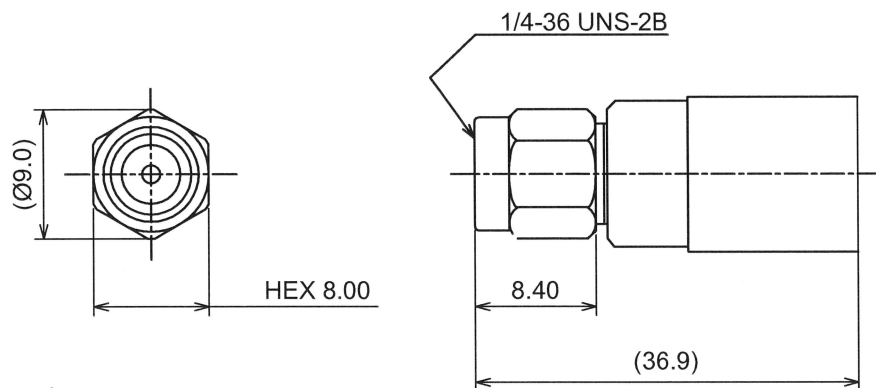
RoHS10 Support

REACH Support

CFSI Support

IP66 Waterproof after mating (Requires waterproof tube)

○形状 (SHAPE)



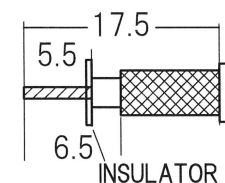
○規格 (STANDARD)
MIL-C-39012

○仕様 (SPECIFICATION)

- 特性インピーダンス (Impedance) : 50 Ω
- 定格周波数 (Working Frequency Range) : DC~6GHz
- 電圧定在波比 (VSWR) : ≤1.50 max at 6GHz
- 挿入損失 (Insertion Loss) : 0.04dB max × √f GHz (f:Frequency)
- 定格電圧 (Voltage Rating) : 335 Vrms max
- 耐電圧 (Proof Voltage) : 1000 Vrms max
- 勘合保証回数 (Connector Life) : 500 times min
- 使用温度範囲 (Temperature range) : -50°C~150°C
- 推奨締め付けトルク (Recommended Torque) 0.8~1.1 Nm

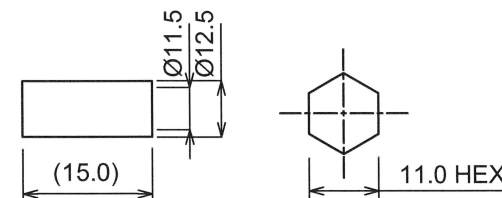
○加工寸法 (ASSEMBLY)

RECOMMENDED CABLE STRIPPING DIMS



- IF THE CORE WIRE IS A STRANDED WIRE, PERFORM PRELIMINARY SOLDERING.
- INSERT INSULATION INTO THE CABLE
- PUSH THE CABLE CENTER CONDUCTOR

RECOMMENDED CLIPPING TOOL SIZE



RECOMMENDED CRIMP HEIGHT 11.00±0.30

The tolerance in this area is ± 0.10

| | | | |
|----|--------------|-----------|--------|
| 8 | GASKET | S. I. R | NATURE |
| 7 | C-ring | BERYLLIUM | NATURE |
| 6 | FERRULE | BRASS | NICKEL |
| 5 | INSULATOR | PTFE | NONE |
| 4 | Coupling Nut | BRASS | NICKEL |
| 3 | Contact | BRASS | GOLD |
| 2 | Dielectric | PTFE | NONE |
| 1 | Body | BRASS | NICKEL |
| No | DESCRIPTION | MATERIAL | FINISH |



| | | | | | |
|------------------------------|------------------------------|------------------------------|------|---------------------------------------|--|
| TOLERANCE | | | | 日本エレパーツ株式会社 NIHON ELEPARTS Co.,LTD | |
| DECIMALS .XX ±0.08 .X ±0.13 | | DIAMETER .X ±0.03 | | | |
| Approved | Checked | Drawn | Unit | | |
| エレパーツ '22.02.01 山崎 | エレパーツ '22.02.01 大江 | エレパーツ '22.02.01 大江 | mm | | |
| | | | A4 | SMA-PS-8DFB | |