

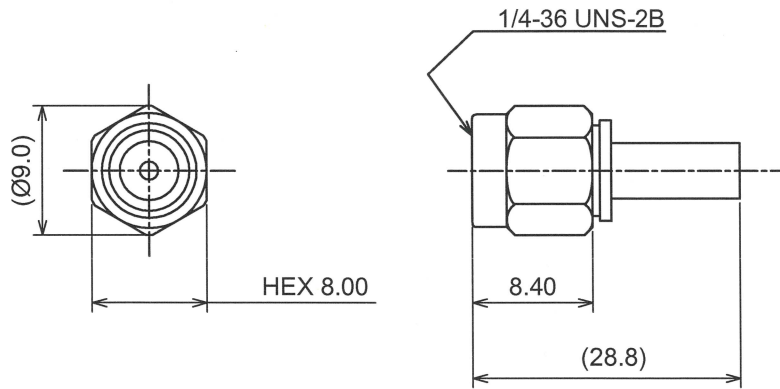
RoHS10 Support

REACH Support

CFSI Support

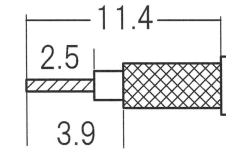
IP66 Waterproof after mating (Requires waterproof tube)

○形状 (SHAPE)



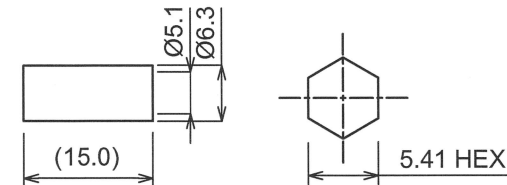
○加工寸法 (ASSEMBLY)

RECOMMENDED CABLE STRIPPING DIMS



SOLDER CONTACT TO CABLE CENTER CONDUCTOR

RECOMMENDED CLIPPING TOOL SIZE



RECOMMENDED CRIMP HEIGHT 5.55±0.2

The tolerance in this area is ± 0.10

○規格 (STANDARD)

MIL-C-39012

○仕様 (SPECIFICATION)

特性インピーダンス (Impedance) : 50 Ω

定格周波数 (Working Frequency Range) : DC~6GHz

電圧定在波比 (VSWR) : ≤ 1.35 max at 6GHz

挿入損失 (Insertion Loss) : 0.04dB max × √ f GHz (f:Frequency)

定格電圧 (Voltage Rating) : 335 Vrms max

耐電圧 (Proof Voltage) : 750 Vrms max

勘合保証回数 (Connector Life) : 500 times min

使用温度範囲 (Temperature range) : -65°C~165°C

推奨締め付けトルク (Recommended Torque) 0.8~1.1 Nm

7	GASKET	S . I . R	RED
6	R-ring	SUS304	NATURE
5	Ferrule	BRASS	NICKEL
4	Coupling Nut	BRASS	NICKEL
3	Contact	BRASS	GOLD
2	Dielectric	PTFE	NONE
1	Body	BRASS	NICKEL
No	DESCRIPTION	MATERIAL	FINISH



TOLERANCE				日本エレパーツ株式会社 NIHON ELEPARTS Co.,LTD	
DECIMALS .XX ±0.08	.X ±0.13				
DIAMETER .X ±0.03			Unit	NAME	REV
Approved	Checked	Drawn	mm		
 エレパーツ '22.02.01 山崎	 エレパーツ '22.02.01 大江	 エレパーツ '22.02.01 大江	A4	SMA-PS-RG303U	2