

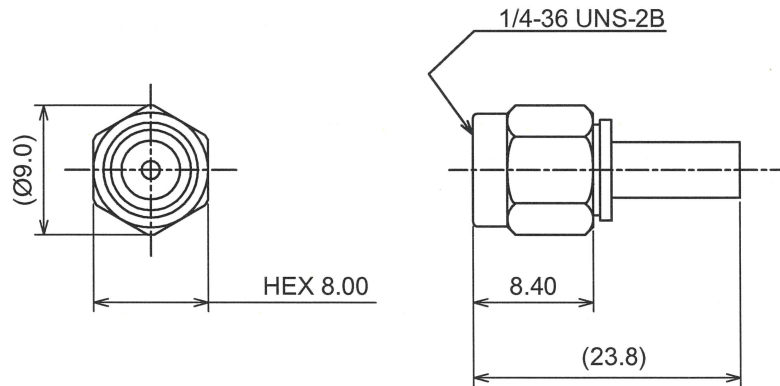
RoHS10 Support

REACH Support

CFSI Support

IP66 Waterproof after mating (Requires waterproof tube)

○形状 (SHAPE)



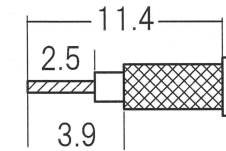
○規格 (STANDARD)
MIL-C-39012

○仕様 (SPECIFICATION)

- 特性インピーダンス (Impedance) : 50Ω
- 定格周波数 (Working Frequency Range) : DC~6GHz
- 電圧定在波比 (VSWR) : ≤ 1.35 max at 6GHz
- 挿入損失 (Insertion Loss) : $0.04\text{dB max} \times \sqrt{f}$ GHz (f:Frequency)
- 定格電圧 (Voltage Rating) : 335 Vrms max
- 耐電圧 (Proof Voltage) : 750 Vrms max
- 勘合保証回数 (Connector Life) : 500 times min
- 使用温度範囲 (Temperature range) : $-65^{\circ}\text{C} \sim 165^{\circ}\text{C}$
- 推奨締め付けトルク (Recommended Torque) 0.8~1.1 Nm

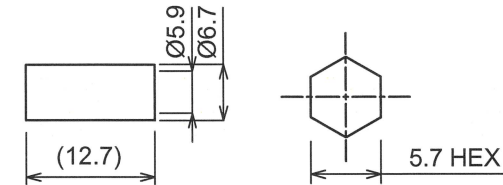
○加工寸法 (ASSEMBLY)

RECOMMENDED CABLE STRIPPING DIMS



SOLDER CONTACT TO CABLE CENTER CONDUCTOR

RECOMMENDED CLIPPING TOOL SIZE



RECOMMENDED CRIMP HEIGHT 5.76 \pm 0.2

The tolerance in this area is ± 0.10

7	GASKET	S. I. R	RED
6	R-ring	SUS304	NATURE
5	Ferrule	BRASS	NICKEL
4	Coupling Nut	BRASS	NICKEL
3	Contact	BRASS	GOLD
2	Dielectric	PTFE	NONE
1	Body	BRASS	NICKEL
No	DESCRIPTION	MATERIAL	FINISH



TOLERANCE				日本エレパーツ株式会社 NIHON ELEPARTS Co.,LTD	
DECIMALS .XX ± 0.08	.X ± 0.13				
DIAMETER .X ± 0.03			Unit	NAME SMA-PS-RG55BU	REV 2
Approved	Checked	Drawn	mm		
 エレパーツ '22.02.01 山崎	 エレパーツ '22.02.01 大江	 エレパーツ '22.02.01 大江	A4		