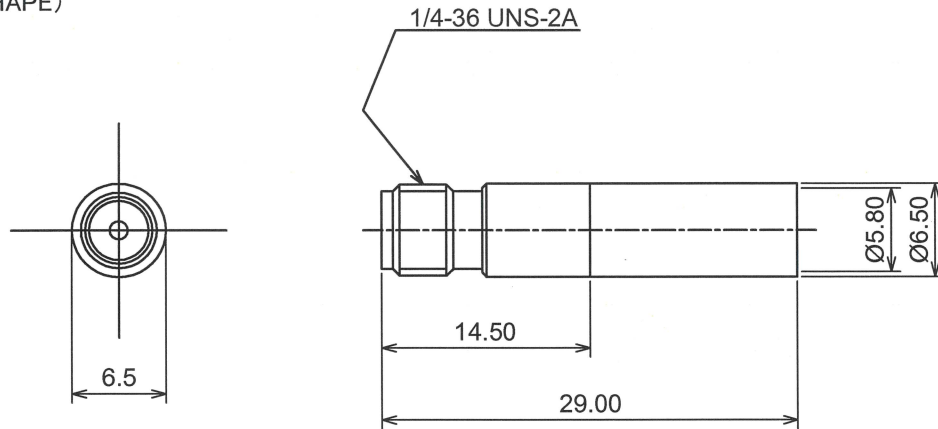


RoHS10 Support

REACH Support

CFSI Support

○形状 (SHAPE)



○規格 (STANDARD)
MIL-C-39012

○仕様 (SPECIFICATION)

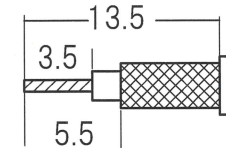
特性インピーダンス (Impedance) : 50 Ω
 定格周波数 (Working Frequency Range) : DC~6GHz
 電圧定在波比 (VSWR) : ≤1.45 max at 6GHz
 挿入損失 (Insertion Loss) : 0.04 dB max × √f GHz (f:Frequency)
 定格電圧 (Voltage Rating) : 335 Vrms max
 耐電圧 (Proof Voltage) : 700 Vrms max
 勘合保証回数 (Connector Life) : 500 times min
 使用温度範囲 (Temperature range) : -65°C~165°C

4	Ferrule	BRASS	NICKEL
3	Contact	BeCu	GOLD
2	Dielectric	PTFE	NONE
1	Body	BRASS	NICKEL
No	DESCRIPTION	MATERIAL	FINISH



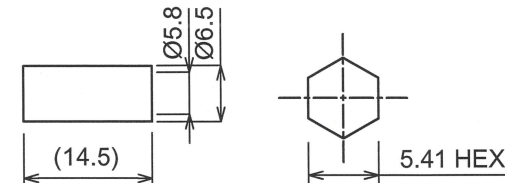
○加工寸法 (ASSEMBLY)

RECOMMENDED CABLE STRIPPING DIMS



SOLDER CONTACT TO CABLE CENTER CONDUCTOR

RECOMMENDED CLIPPING TOOL SIZE



RECOMMENDED CRIMP HEIGHT 5.55±0.2

The tolerance in this area is ± 0.10

TOLERANCE DECIMALS .XX ±0.08 .X ±0.13 DIAMETER .X ±0.03				日本エレパーツ株式会社 NIHON ELEPARTS Co.,LTD	
Approved	Checked	Drawn			
'22.02.01 山崎	'22.02.01 大江	'22.02.01 大江	A4	NAME	REV
				SMA-RS-3.5DSFA	2