

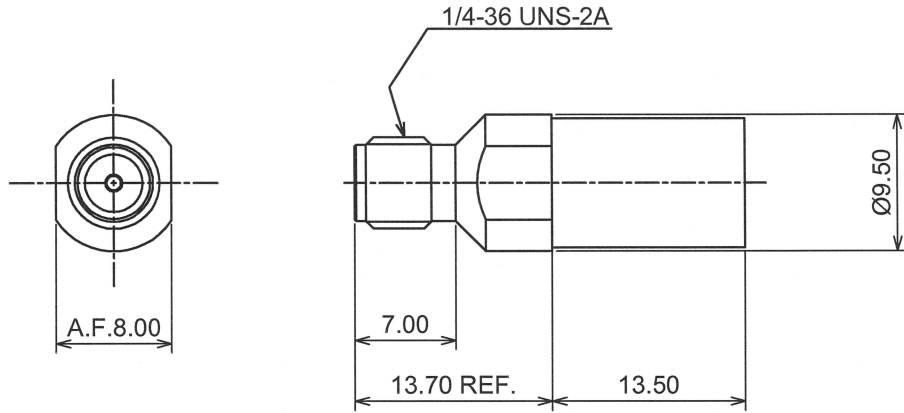
RoHS10 Support

REACH Support

CFSI Support

IP66 Waterproof after mating (Requires waterproof tube)

○形状 (SHAPE)



○規格 (STANDARD)  
MIL-C-39012

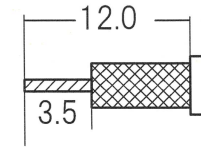
○仕様 (SPECIFICATION)

特性インピーダンス (Impedance): 50 Ω  
 定格周波数 (Working Frequency Range): DC~6GHz  
 電圧定在波比 (VSWR): ≤1.50 max at 6GHz  
 挿入損失 (Insertion Loss): 0.04 dB max × √f GHz (f:Frequency)  
 定格電圧 (Voltage Rating): 335 Vrms max  
 耐電圧 (Proof Voltage): 1000 Vrms max  
 勤合保証回数 (Connector Life): 500 times min  
 使用温度範囲 (Temperature range): -50°C~150°C



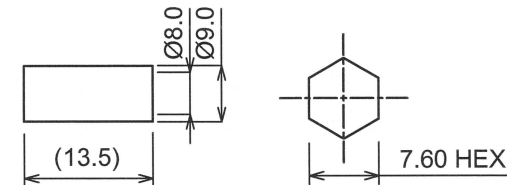
○加工寸法 (ASSEMBLY)

RECOMMENDED CABLE STRIPPING DIMS



SOLDER CONTACT TO CABLE CENTER CONDUCTOR

RECOMMENDED CLIPPING TOOL SIZE



RECOMMENDED CRIMP HEIGHT 7.75±0.25

The tolerance in this area is ± 0.10

TOLERANCE  
 DECIMALS .XX ±0.08 .X ±0.13  
 DIAMETER .X ±0.03



日本エレパーツ株式会社  
 NIHON ELEPARTS Co.,LTD

Approved	Checked	Drawn
----------	---------	-------

Unit

mm

A4

N  
A  
M  
E

SMA-RS-5DSFA

REV

2

エレパーツ '22.02.01 山崎	エレパーツ '22.02.01 大江	エレパーツ '22.02.01 大江
--------------------------	--------------------------	--------------------------

4	Ferrule	BRASS	NICKEL
3	Contact	BeCu	GOLD
2	Dielectric	PTFE	NONE
1	Body	BRASS	NICKEL
No	DESCRIPTION	MATERIAL	FINISH