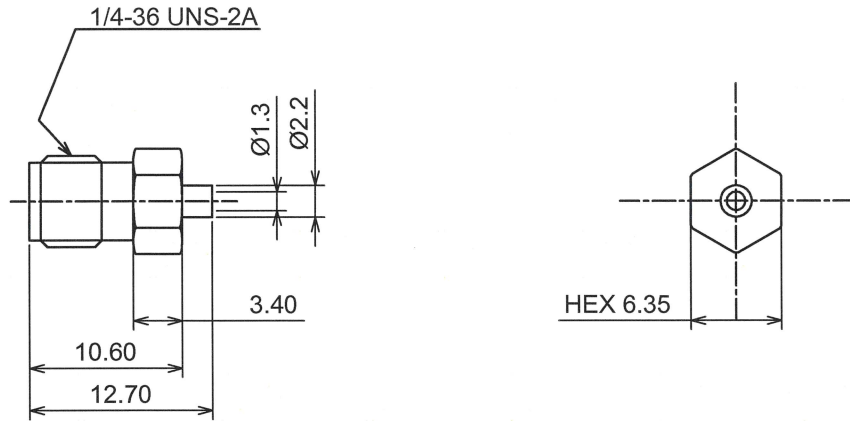


RoHS10 Support

REACH Support

CFSI Support

○形状 (SHAPE)



○規格 (STANDARD)

MIL-C-39012

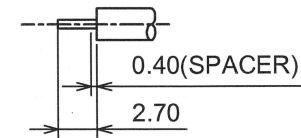
○仕様 (SPECIFICATION)

- 特性インピーダンス (Impedance): 50 Ω
- 定格周波数 (Working Frequency Range): DC~18GHz
- 電圧定在波比 (VSWR): ≤1.30 max at 18GHz
- 挿入損失 (Insertion Loss): 0.04 dB max × √f GHz (f:Frequency)
- 定格電圧 (Voltage Rating): 250 Vrms max
- 耐電圧 (Proof Voltage): 500 Vrms max
- 勤合保証回数 (Connector Life): 500 times min
- 使用温度範囲 (Temperature range): -65°C~165°C

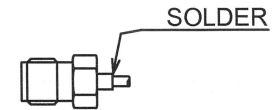


○加工寸法 (ASSEMBLY)

RECOMMENDED STRIPPED INSTRUCTIONS



SOLDER CONTACT TO CABLE CENTER CONDUCTOR



SOLDER TO THE ABOVE

The tolerance in this area is ± 0.10

3	Contact	BeCu	GOLD
2	Dielectric	PTFE	NONE
1	Body	BRASS	GOLD
No	DESCRIPTION	MATERIAL	FINISH

TOLERANCE				日本エレパーツ株式会社 NIHON ELEPARTS Co.,LTD	
DECIMALS	.XX ±0.08	.X ±0.13			
DIAMETER	.X ±0.03				
Approved	Checked	Drawn	Unit	NAME	REV
 山崎	 大井	 大井	mm		
			A4		