

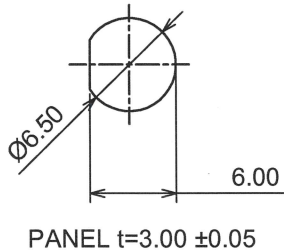
RoHS10 Support

REACH Support

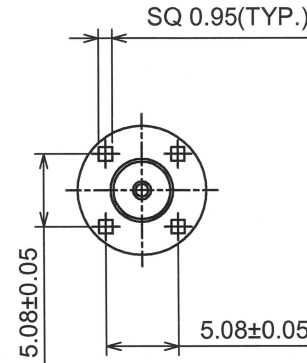
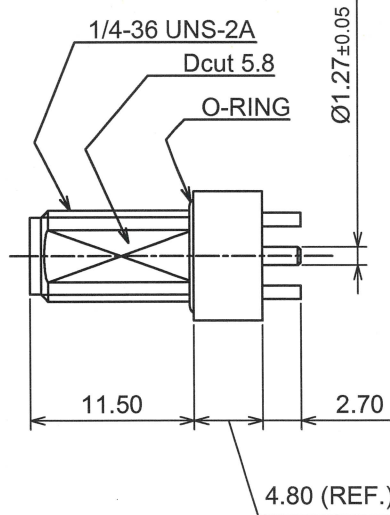
CFSI Support

IP66 Waterproof after mating

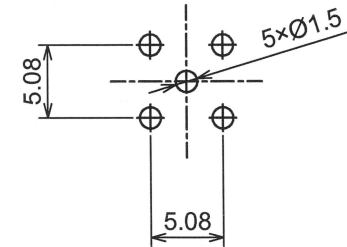
RECOMMENDED MOUNTING HOLE



○規格 (Standard)
MIL-C-39012

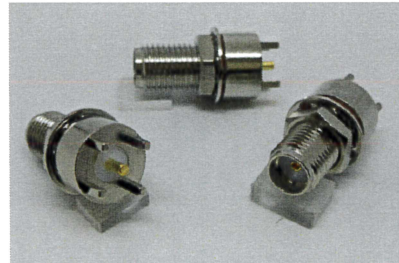
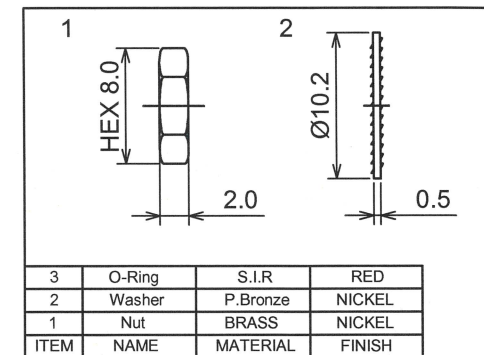


RECOMMENDED PCB HOLE



○仕様 (Specification)

- 特性インピーダンス (Impedance): 50 Ω
- 定格周波数 (Working Frequency Range): DC~6GHz
- 電圧定在波比 (VSWR): ≤ 1.30 at 6GHz
- 挿入損失 (Insertion Loss): 0.04dB max × √f GHz (f:Frequency)
- 定格電圧 (Voltage Rating): 300V rms
- 耐電圧 (Proof Voltage): 1000V rms
- 接触抵抗 (Contact Resistance): 3mΩ max
- 絶縁抵抗 (Insulation Resistance): ≥ 5000MΩ
- 勘合保証回数 (Connector Life): 500 times min
- 使用温度範囲 (Temperature range): -50°C~150°C
- 推奨締め付けトルク (Recommended Torque) 0.8~1.1 Nm



TOLERANCE			
DECIMALS	.XX ±0.10	.X ±0.15	
DIAMETER	.X ±0.10		
Approved	Checked	Drawn	Unit
 '22.03.01 山崎	 '22.03.01 大江	 '22.03.01 大江	mm
			A4

日本エレパーツ株式会社
NIHON ELEPARTS Co.,LTD

3	Contact	BeCu	GOLD
2	Dielectric	PTFE	NONE
1	Body	BRASS	NICKEL
No	DESCRIPTION	MATERIAL	FINISH

NAME	SMA-RSFB-05W	REV
		1