

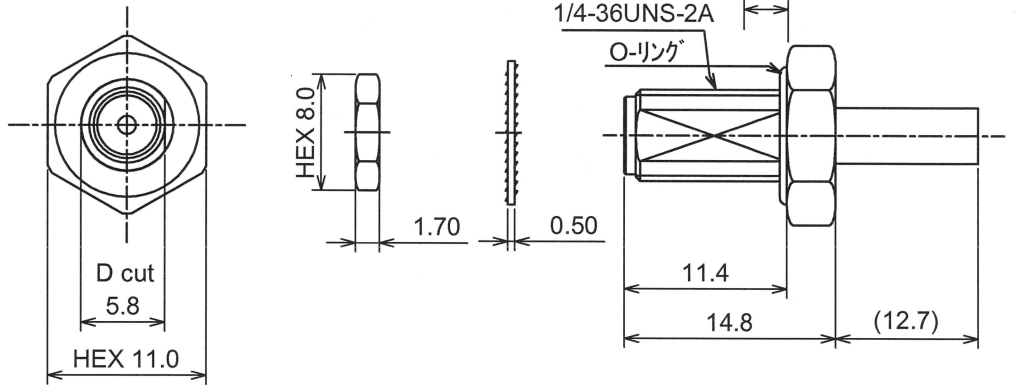
RoHS10 Support

REACH Support

CFSI Support

IP66 Waterproof after mating (Before the panel)

○形状 (SHAPE)

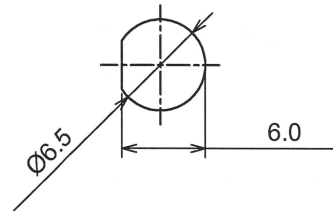


○規格 (STANDARD)
MIL-C-39012

○仕様 (SPECIFICATION)

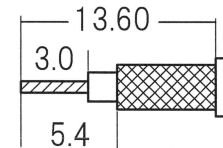
- 特性インピーダンス (Impedance) : 50Ω
- 定格周波数 (Working Frequency Range) : DC~6GHz
- 電圧定在波比 (VSWR) : ≤ 1.25 max at 6GHz
- 挿入損失 (Insertion Loss) : 0.04 dB max $\times \sqrt{f}$ GHz (f:Frequency)
- 定格電圧 (Voltage Rating) : 250 Vrms max
- 耐電圧 (Proof Voltage) : 500 Vrms max
- 勘合保証回数 (Connector Life) : 500 times min
- 使用温度範囲 (Temperature range) : -65°C~155°C
- 推奨締め付けトルク (Recommended Torque) 0.8~1.1 Nm

RECOMMENDED MOUNTING HOLE



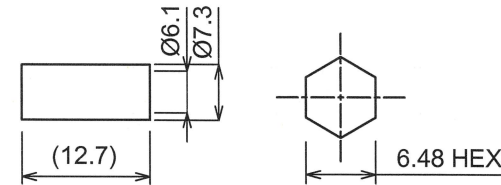
○加工寸法 (ASSEMBLY)

RECOMMENDED CABLE STRIPPING DIMS



SOLDER CONTACT TO CABLE CENTER CONDUCTOR

RECOMMENDED CLIPPING TOOL SIZE



RECOMMENDED CRIMP HEIGHT 6.45±0.2

The tolerance in this area is ± 0.10

7	O-ring	S. I. R	RED
6	Washer	BRASS	NICKEL
5	Nut	BRASS	NICKEL
4	Ferrule	BRASS	NICKEL
3	Contact	BeCu	GOLD
2	Dielectric	PTFE	NONE
1	Body	BRASS	NICKEL
No	DESCRIPTION	MATERIAL	FINISH



TOLERANCE DECIMALS .XX ±0.08 .X ±0.13 DIAMETER .X ±0.03				日本エレパーツ株式会社 NIHON ELEPARTS Co.,LTD	
Approved	Checked	Drawn			
			A4	NAME SMA-RSFB-3.5DSFA	REV 2