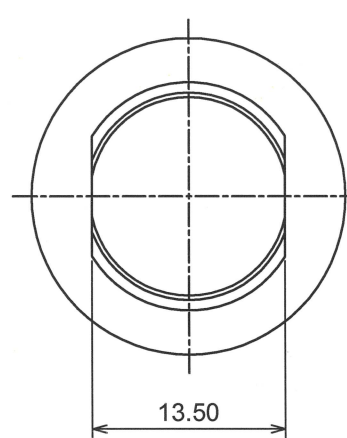
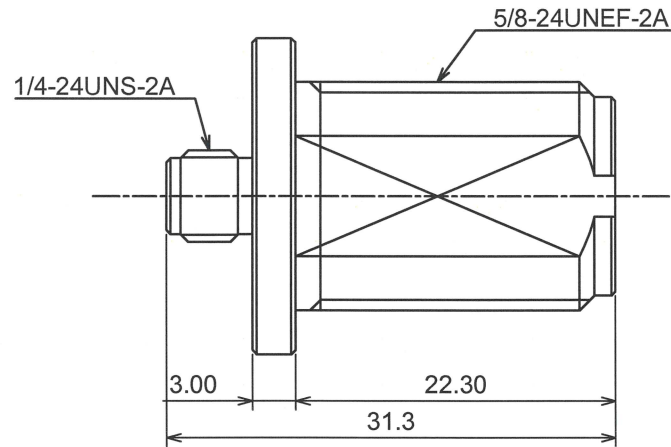


RoHS10 Support

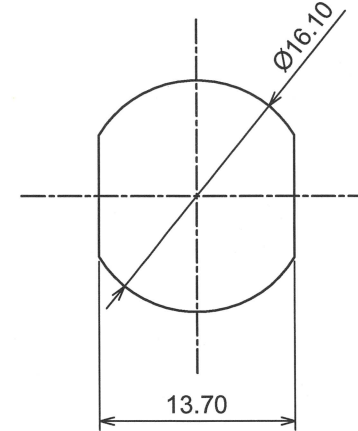
REACH Support

CFSI Support

IP66 Waterproof after mating



RECOMMENDED MOUNTING HOLE



○規格 (Standard)  
MIL-C-39012

○仕様 (Specification)

特性インピーダンス (Impedance) : 50 Ω

定格周波数 (Working Frequency Range) : DC~6GHz

電圧定在波比 (VSWR) : ≤1.30 at 6GHz

挿入損失 (Insertion Loss) : 0.04dB max × √f GHz (f:Frequency)

定格電圧 (Voltage Rating) : 300V rms

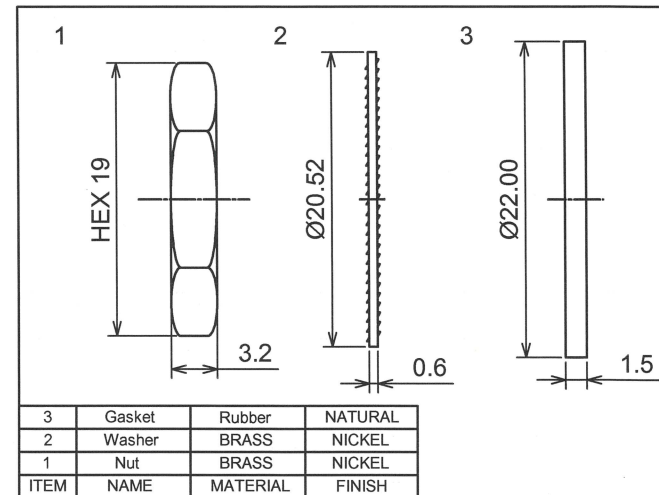
耐電圧 (Proof Voltage) : 1000V rms

接触抵抗 (Contact Resistance) : 3m Ω max

絶縁抵抗 (Insulation Resistance) : ≥5000M Ω

勘合保証回数 (Connector Life) : 500 times min

使用温度範囲 (Temperature range) : -50°C~150°C



4	Gasket	Rubber	NATURAL
3	Contact	BeCu	GOLD
2	Dielectric	PTFE	NONE
1	Body	BRASS	NICKEL
No	DESCRIPTION	MATERIAL	FINISH



TOLERANCE			
DECIMALS	.XX ±0.10	.X ±0.15	
DIAMETER	.X ±0.10		
Approved	Checked	Drawn	Unit
 '22.03.01 大江	 '22.03.01 山崎	 '22.03.01 大江	mm
			A4

日本エレパーツ株式会社  
NIHON ELEPARTS Co.,LTD

NAME	SMAJ-NRSFB	REV
		1