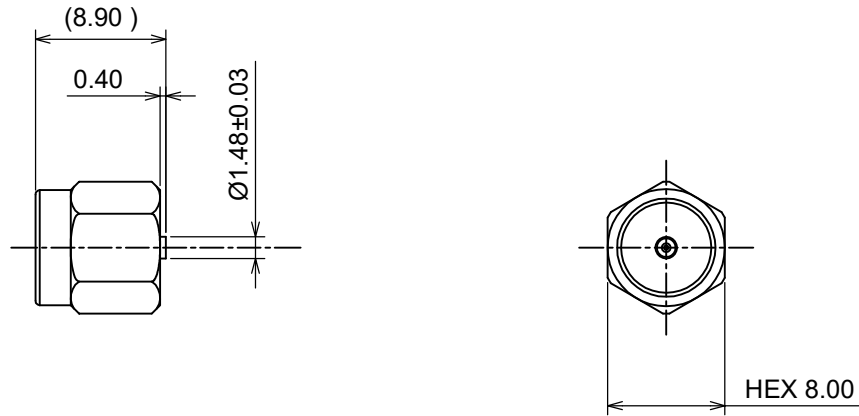


RoHS10 Support



○規格 (Standard)  
MIL-C-39012

○仕様 (Specification)

- 特性インピーダンス (Impedance) : 50 Ω
- 定格周波数 (Working Frequency Range) : DC~6GHz
- 電圧定在波比 (VSWR) : ≤ 1.35 max
- 挿入損失 (Insertion Loss) : N/A dB
- 定格電圧 (Voltage Rating) : 550V rms
- 耐電圧 (Proof Voltage) : 750V rms
- 接触抵抗 (Contact Resistance) : Inner 6.0/Outer 2.0 mΩ max
- 絶縁抵抗 (Insulation Resistance) : ≥ 5000MΩ
- 勤合保証回数 (Connector Life) : 500 times min
- 推奨締め付けトルク (Recommended Torque) N/A Nm

4	Coupling Nut	Stainless steel	Passivation
3	Contact	BRASS	GOLD
2	Dielectric	PTFE	NONE
1	Body	Stainless steel	Passivation
No	DESCRIPTION	MATERIAL	FINISH

TOLERANCE DECIMALS .XX ±0.10 .X ±0.15 DIAMETER .X ±0.10				日本エレパーツ株式会社 NIHON ELEPARTS Co.,LTD	
Approved	Checked	Drawn			
			A4		