

Bluetooth® low energy Module: **EYSGCNAWY-VX**

Features

- Frequency: 2402 to 2480 MHz
- Output power: +4dBm typ.
- Single power supply: 1.8 – 3.6V
- Single Mode Bluetooth **4.2** low energy **Central / Peripheral**
- Chip: nRF51822 (Nordic)
- Integrated System/Sleep Clock
- Integrated high performance ceramic chip antenna
- ARM Cortex M0** 32bit processor
- Application Embedded by TAIYO YUDEN**
- (TY's App : Generic Data transfer, Battery Service)**
- Interface: UART
- Outline: **9.6 x 12.9 x 2.0** mm with **1mm** pad pitch
- Operating Temperature range: -25 to 85 deg-C
- Bluetooth and Japan, FCC, IC qualified
- CE Conducted Test Report Available
- RoHS compliant / Complete Lead Free

Applications

- Cycle computer
- Heart rate monitor
- Blood pressure monitor
- Blood glucose meter
- Weighing machine
- Thermometer
- Mobile accessories
- Sports and fitness sensors
- Remote controllers / Toys

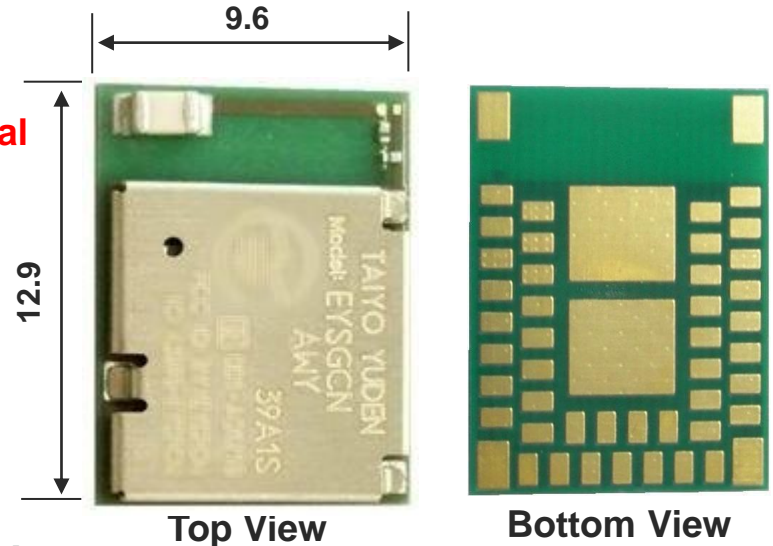
All specifications are subject to change without notice.

The *Bluetooth*® word mark and logos are owned by the *Bluetooth* SIG, Inc. and any use of such marks by TAIYO YUDEN CO., LTD. is under license.

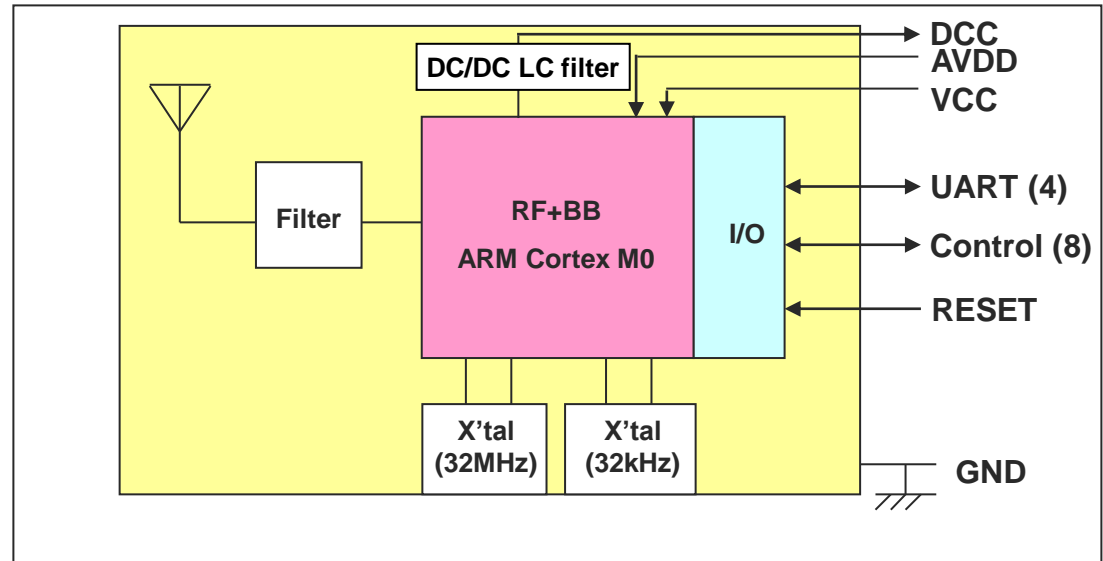
TAIYO YUDEN

Outline

Unit: mm



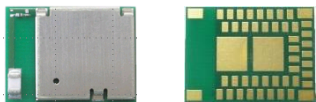
Block Diagram



Bluetooth® low energy Module Sample, Evaluation Board / Kit

EYSGCNAWY-VX (Module)

Module samples



Tape



EBSGCNAWY-VX (EV-B)

Evaluation board

