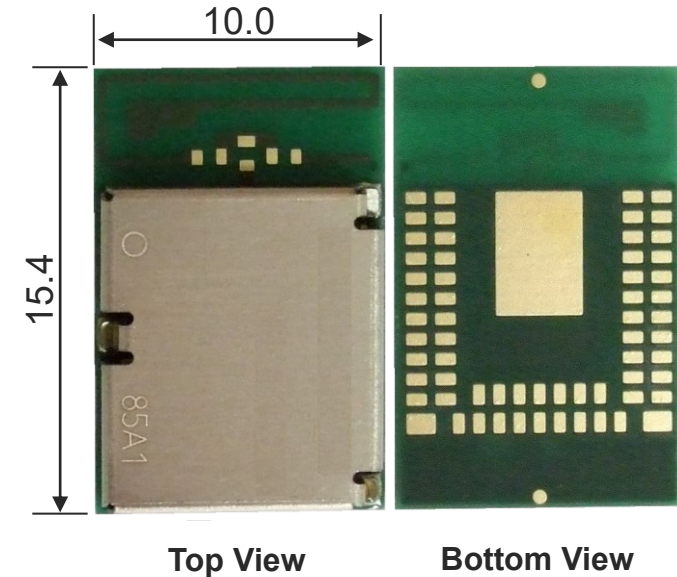


Bluetooth® 5.2 low energy Module: EYSPBNZUA

Features

- Frequency: 2402 to 2480 MHz with **+8dBm** Output power
- Single power supply: 1.7 – 5.5V
- Single Mode **Bluetooth 5.2 / 802.15.4** (e.g. Thread, Zigbee)
- Bluetooth 5.2 2Mbps / Long range / AoA / AoD**
- Chip: **nRF52833** (Nordic)
- Integrated System/**Sleep Clock, LC for DC/DC**
- Integrated high performance PCB antenna
- ARM® Cortex M4F** 32bit processor, **512KB Flash & 128kB RAM**
- Interface: **USB, NFC-A, SPI, UART, I2C, I2S, PDM** and 12bit ADC
- Outline: **10.0 x 15.4 x 2.0** mm
- Operating Temperature range: **-40 to 105 deg-C**
- Bluetooth and Japan, FCC, IC qualified
- ETSI EN 300 328 v2.2.2 Conducted Test Report Available
- RoHS compliant / Complete Lead Free

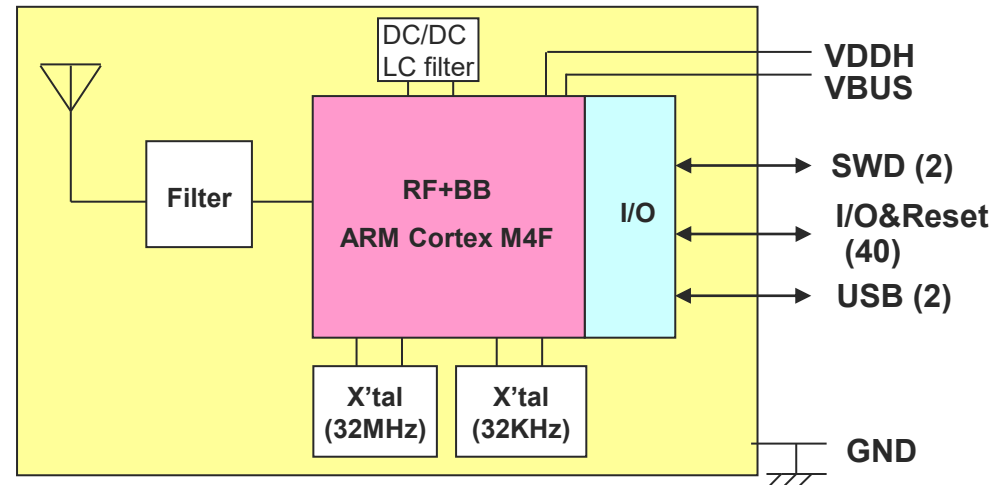
Outline



Applications

- Internet of Things
 - Smart home sensors and controllers
 - Industrial IoT sensors and controllers
 - LED lighting
- Advanced wearables
 - Smart watch
 - Health/Fitness sensor and monitor devices
 - Wireless payment enabled devices
- Interactive entertainment devices
- Advanced computer peripherals

Block Diagram



All specifications are subject to change without notice.

The Bluetooth® word mark and logos are owned by the Bluetooth SIG, Inc. and any use of such marks by TAIYO YUDEN CO., LTD. is under license.

TAIYO YUDEN

Bluetooth® low energy Module Sample, Evaluation Board / Kit

EYSPBNZUA (Module)

Module samples

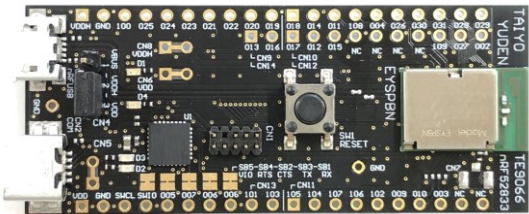


Tape



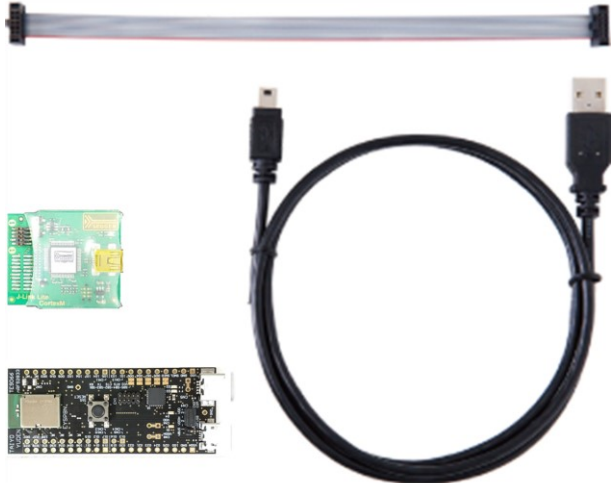
EBSPBNZUA (EV-B)

Evaluation board



EKSPBNZUA (EV-K)

Evaluation kit



SEGGER
J-Link LITE
Attached